



LED lighting made easy.

2025 BUYER'S GUIDE

COMMERCIAL
AND INDUSTRIAL
LED LIGHTING

Always Think **Green.**

ATG

ALWAYS THINK **GREEN**

- ATG LED Lighting provides top of the line LED lighting for lighting specifiers across the globe. ATG fixtures cover all commercial and industrial applications -including but not limited to warehouses, schools, parks, urban areas, parking garages, workshops, and offices. Our LED luminaires are assembled, warehoused and sold out of our US headquarters in Montclair, CA with additional distribution facilities in North Carolina and Kansas.

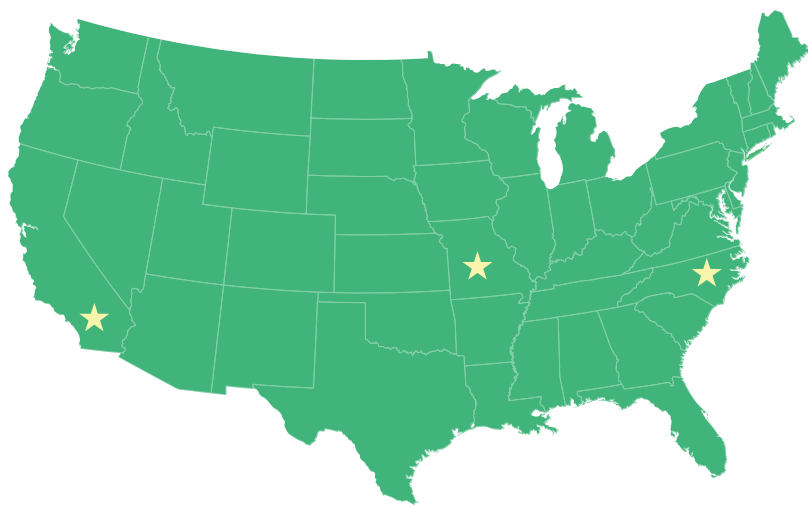


TABLE OF CONTENTS

Brief Introduction	02-03
Table of Contents	04-05
Features and Benefits	06

Indoor LED Luminaires

Warehouse Lighting

Stellar Pro Linear Highbay	08-09
Skyline Linear Highbay G4	10
Helix Round High Bay G4	11

Hazardous Location Lighting

HBZ-L1 Linear Highbay	12
HBZ-R1 Round Highbay	13

Ambient General Lighting

DUO Selectable Flat Panel G2E	14
DUO Selectable Troffer G2	15
DUO Selectable Retrofit Kit G2	16

Linear Lighting

Huron Architectural Linear Fixture G3	17
DUO Selectable Linear Fixture G2	18
DUO Selectable Wrap Light G2	19

Downlight

New DUO Selectable Downlight	20
ELD Retrofit Downlight	21
EDF Fire Rated Recessed Downlight	22

Exit Sign & Emergency Light

Emergency Exit Sign	23
Emergency Light & Remote Head	24

Stairwell Lighting

LSC Stairwell Fixture	25
LSW Stairwell Fixture	26
LSD Stairwell Fixture	27

Vapor Tight Fixture

DUO Selectable Vapor Tight Fixture	28
Vapor Tight Fixture For Cooler & Freezer	29

Outdoor LED Luminaires

Area and Parking Lot Lighting

Archer Area Light G2	31-32
Airia Architectural Area Light	33
Clio Post Top G2	34

Flood and Sports Lighting

Ultra Sports Light G2	35
Vulcan V1 High Mast Light	36
Vulcan V2 High Mast Light	37
Forza Beam Angle Adjustable Floodlight	38-39

Wall Lighting

DUO Selectable Guard Pack	40
Decorative Emergency Light	41
WPDSN DUO Selectable Wall Pack	42
WPDSZ DUO Selectable Wall Pack	43



Canopy and Garage Lighting

DUO Selectable Canopy Light	44
General Purpose Round Garage Light	45

Bollard

Spartan Bollard	46
-----------------	----

FEATURES KEY

	UL Listed		Motion Sensor Offered
	Intertek ETL Listed		Photocell Offered(Outdoor) Daylight Sensor Offered(Indoor)
	DLC Standard Listed		EM Driver Offered
	DLC Premium Listed		Power & CCT Selectable
	CEC Title 24 Compliant		Power Selectable
	0-10V Dimming/1-10V Dimming		CCT Selectable
	Wet Location Rated IP65 or above		Bluetooth Mesh System Compatible
	5 Year Warranty See website for details		McWong TruBlu System Compatible
	10 Year Warranty See website for details		SILVAIR System Compatible
	BAA Optional		RELOC Wiring Offered



INDOOR LED LUMINAIRES



STELLAR^{PRO} HIGH·BAY

Top Performance LED Linear High Bay Series

PNP Sensor Available

120-277Vac
(347-480Vac Optional)

Power Selectable

65°C Ambient
Temp Operation

PRODUCT FEATURES

- Clean, modern, compact design, precision-designed optics
- Die-cast aluminum housing and heat sink
- First-class thermal management, -40°C~65°C(-40°F~149°F) ambient range operation
- 120-277v universal input (347-480v optional)
- Efficacy up to 168 lm/w, lumen output up to 63,199 lm
- 0-10v dimming comes standard
- Power select technology: 3-step wattage selectable
- 90°x90° distribution comes standard (40°x90° aisle Distribution optional)
- Stand alone pnp sensor available, sensor receptacle pre-installed
- Ble Mesh Control (LLLC) and Circuit Level Control (LALC) options available*
- Emergency backup options available, sold separately
- Industry-leading 10 years warranty, L70>309,000 Hrs

* Please contact our sales team for more details

** Step down transformer comes standard for 347-480V, driver optional for factory order

APPLICATION

Warehouse/ Gym/ Manufacturing/ Retail/ Distribution Center/ Hangars

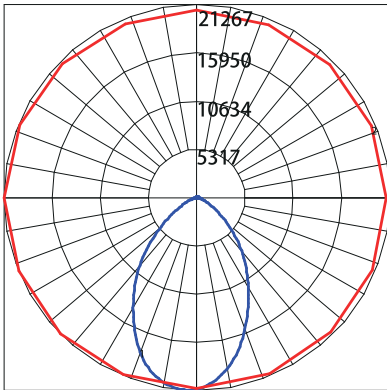
PRODUCT SPECIFICATIONS

Model#	Wattage Selection(W)	4000K			5000K			CRI	Power Factor
		Wattage(W)	Lumens(LM)	Efficacy(LM/W)	Wattage(W)	Lumens(LM)	Efficacy(LM/W)		
HBST-155P-40-S	155	152.9	23,320	152.6	152.9	23,786	155.6	>80	>0.9
	130	130.0	20,427	157.1	130.0	20,836	160.3		
	110	110.0	17,803	161.8	110.0	18,159	165.1		
HBST-215P-40-S	215	212.6	32,946	155.0	212.6	33,605	158.1	>80	>0.9
	180	180.0	28,735	159.6	180.0	29,309	162.8		
	165	165.0	27,130	164.4	165.0	27,673	167.7		
HBST-320P-40-S	320	315.9	48,926	154.9	315.9	49,905	158.0	>80	>0.9
	290	290.0	46,264	159.5	290.0	47,189	162.7		
	255	255.0	41,901	164.3	255.0	42,739	167.6		
HBST-400P-40-S	400	400.0	61,960	154.9	400.0	63,199	158.0	>80	>0.9
	360	360.0	57,437	159.5	360.0	58,586	162.7		
	320	320.0	52,587	164.3	320.0	53,638	167.6		

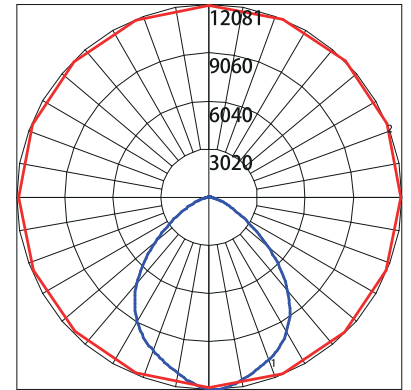




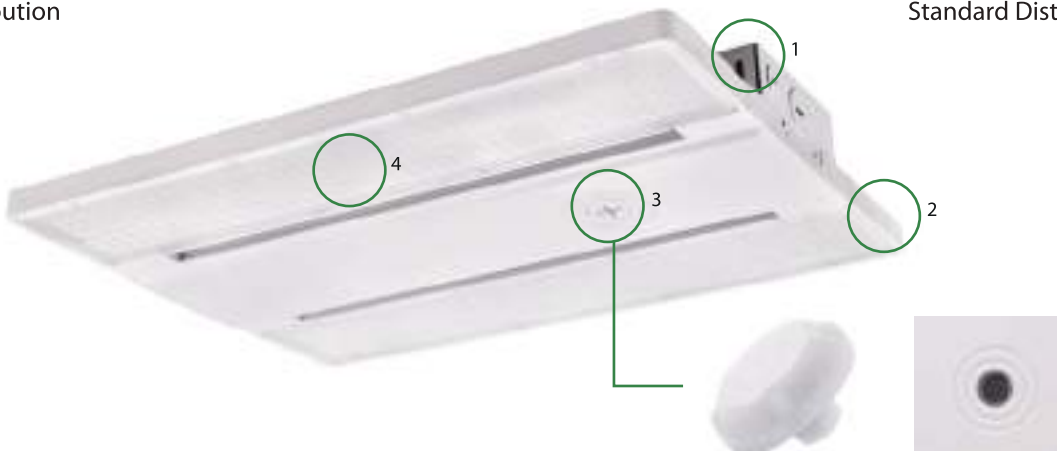
PHYSICAL FEATURES



Aisle Distribution



Standard Distribution



- 1. Emergency Backup Options Available*
- 2. Die-Casting Aluminum Housing, Decreasing LED Junction Temperature, Ensuring Long Life and High Efficacy.
- 3. Sensor Receptacle Pre-Installed, Plug and Play Sensor Available
- 4. 90°x90° Optics For General Use, 40°x90° Optional For Aisle Distribution

* Need extra driver box for mounting, sold separately.



G4
SKYLINE
HIGH·BAY

Power & CCT Selectable Contractor Linear Highbay

Aisle Distribution Available

120-277Vac
(347-480Vac Optional)

Power & CCT Selectable

RELOC Wiring Available

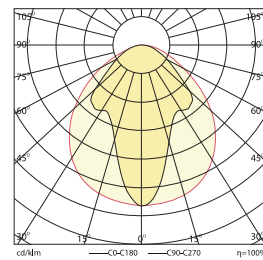
PRODUCT FEATURES

- Architectural grade compact design
- Frosted lens eliminates glare
- PF>0.9, THD<20%
- 95°x95° distribution comes standard (40°x110° aisle distribution optional)
- 120-277Vac universal input(347-480V optional with step down transformer)
- Emergency backup options available
- Stand Alone Fixture Control(SAFC) options available, receptacle pre-installed
- BLE Mesh Control(LLLC) and Circuit Level Control(LALC) options available
- L70>100,000 Hrs,10 Years Limited Warranty

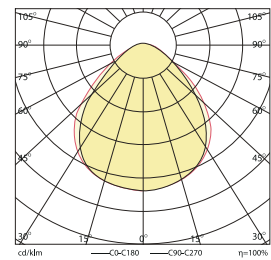
Power & CCT SELECTABILITY

- Feature Power Selectable Technology: Three Step Wattage Adjustable
- Feature CCT Selectable Technology: 4000K/5000K CCT Adjustable

LIGHT DISTRIBUTION PATTERN



Aisle



Standard

PRODUCT SPECIFICATIONS

Model Number (Adjustable)	Nominal Watts(W)	4000K			5000K		
		System Watts(W)	Efficacy (LM/W)	Lumens (LM)	System Watts(W)	Efficacy (LM/W)	Lumens (LM)
HBELB-135P-T1F	100/115/135 Selectable	100~126	152~159	15,912~19,121	97~132	154~161	15,629~20,355
HBELC-200P-T1F	155/185/200 Selectable	151~189	151~158	23,928~28,409	160~189	153~159	25,416~28,759
HBELD-270P-T1F	200/230/270 Selectable	195~255	151~159	30,933~38,509	196~256	155~160	31,257~39,531
HBELE-400P-T1F	270/360/400 Selectable	265~379	148~155	41,075~56,062	265~379	151~157	41,605~57,199





HELIX G4

HIGH BAY

Power & CCT Selectable Round Highbay

Power & CCT Selectable

120-277Vac
(347-480Vac Optional)

RELOC Wiring Available

PNP Sensor Available

PRODUCT FEATURES

- Power Selectable Technology, Covering 3 Wattage Selections With 1 Sku(Not All Models)
- 0-10v Dimmable Driver Featuring 12V AUX Power Tap
- Sensor Receptacle Pre-installed, Plug-and-play Occupancy Sensor Sold Separately
- Emergency Backup Options Available
- Reloc Options Available, Sold Separately
- Pendant Mount Kit Available, Sold Separately
- Ambient Operating Temperature: -40°C(-40°F) To 55°C(131°F)
- PC & Aluminum Refractor Offered, Sold Separately
- IP65,UI Wet Location Rated
- L70>136,000 Hrs,10 Years Limited Warranty

PRODUCT SPECIFICATIONS

Model Number	Input Voltage (AC)	3500K			4000K			5000K		
		System Watts(W)	Efficacy (LM/W)	Lumens (LM)	System Watts(W)	Efficacy (LM/W)	Lumens (LM)	System Watts(W)	Efficacy (LM/W)	Lumens (LM)
HBUF-150W-T1-G4	120-277	150	148.0	22,200	100	156.0	15,600	100	152	15,200
		120	149.0	17,880	80	157.0	12,560	80	153	12,240
		90	150.0	13,500	60	159.0	9,540	60	154	9,240
HBUF-240W-T1-G4	120-277	240	146.0	35,040	150	152.0	22,800	150	150	22,500
		200	147.0	29,400	120	153.0	18,360	120	151	18,120
		180	148.0	26,640	90	155.0	13,950	90	152	13,680

* For other power selectable models, please contact our sales team for lead time and cost





HBZ-L1

Led Linear Highbay For Hazardous Locations

Multiple Optics Available

Explosion Proof

C1D2 Groups
A, B, C, D, T4A, T5

Multiple Mounting
Options Available

PRODUCT FEATURES

- Durable, Explosion Proof Design, Ideal for Areas with Ignitable and Combustible Elements
- High Temperature Silicone Gasketing
- Stainless Steel Exposed Fasteners
- Multiple Beam Spread Available, 110° Comes Standard, 35°/60°/80° Optional
- Hook & Cable Comes Standard
- Yoke Mount / Ceiling Mount / Pendant Mount(3/4 NPT) / Chain Mount / Pipe Mount Optional
- C1D2, Groups A, B, C, D
- -40°C(-40°F)~55°C(131°F) Operating Temperature
- 120-277V Input (277-480V for 80W)
- LED L70 Lifetime >74,000 Hours, 5 Years Warranty Provided

APPLICATION

Power Plants / Paper Mills / Wastewater Treatment Plants / Loading Docks/ Platforms / Shipyards / Chemical Processing Facilities / Petrochemical Processing Facilities

PRODUCT SPECIFICATIONS

Model Number	Input Voltage	Nominal Wattage(W)	CCT	No Optics(110°)			80°			CRI	PF
				Wattage (W)	Efficacy (LM/W)	Lumens (LM)	Wattage (W)	Efficacy (LM/W)	Lumens (LM)		
HBZ-L1-40-40	120-277VAC	40	4000K	40.3	131.4	5,295	40.3	127.6	5,141	>70	>0.9
HBZ-L1-40-50			5000K	40.3	134.0	5,401	40.3	130.1	5,244		
HBZ-L1-80-40	120-277VAC	80	4000K	79.1	141.3	11,176	79.1	137.2	10,850	>70	>0.9
HBZ-L1-80-50			5000K	79.1	144.1	11,399	79.1	139.9	11,067		
HBZ-L1-80-40-V	277-480VAC	80	4000K	80.6	135.7	10,934	80.6	131.8	10,616	>70	>0.9
HBZ-L1-80-50-V			5000K	80.6	138.5	11,153	80.6	134.4	10,828		
HBZ-L1-120-40	120-277VAC	120	4000K	122.0	125.2	15,276	122.0	121.5	14,831	>70	>0.9
HBZ-L1-120-40			5000K	122.0	127.7	15,582	122.0	124.0	15,128		





HBZ-R1

Led Round Highbay For Hazardous Locations

Multiple Lens & Optics Available

Explosion Proof

C1D2 Groups
A, B, C, D, T4A, T5

IP66 Rated

PRODUCT FEATURES

- Durable, Explosion Proof Design, Ideal for Areas with Ignitable and Combustible Elements
- High Temperature Silicone Gasketing
- Stainless Steel Exposed Fasteners
- Customizable Offering With Flat, Sphere and Drop Lens, Multiple Optics Available
- Available With Yoke Mount and 3/4 NPT Pendant Mount (Pipe Not Provided)
- C1D2, Groups A, B, C, D
- -40°C(-40°F)~55°C(131°F) Operating Temperature
- 120-277V Input (277-480V for 150W)
- LED L70 LifeTime >74,000 Hours, 5 Years Warranty Provided

APPLICATION

Power Plants / Paper Mills/ Wastewater Treatment Plants/ Loading Docks/ Platforms/ Shipyards/
Chemical Processing Facilities/ Petrochemical Processing Facilities

PRODUCT SPECIFICATIONS

Model Number	Input Voltage	Flat Glass Lens			Flat Glass + 80°Optic			Sphere Glass Lens			Drop Lens		
		Wattage (W)	Efficacy (LM/W)	Lumens (LM)	Wattage (W)	Efficacy (LM/W)	Lumens (LM)	Wattage (W)	Efficacy (LM/W)	Lumens (LM)	Wattage (W)	Efficacy (LM/W)	Lumens (LM)
HBZ-R1-30-40	120-277VAC	32.9	138.2	4,546	32.9	134.0	4,410	32.9	127.1	4,182	32.9	128.5	4,228
HBZ-R1-30-50		32.2	141.1	4,538	32.2	129.9	4,175	32.2	129.9	4,175	32.2	131.3	4,220
HBZ-R1-60-40	120-277VAC	59.8	137.0	8,355	60.3	132.0	7,954	60.5	123.1	7,450	60.4	128.4	7,750
HBZ-R1-60-50		57.9	140.0	8,275	58.0	135.9	7,876	58.4	126.1	7,356	59.1	132.6	7,835
HBZ-R1-100-40	120-277VAC	100.4	145.0	14,166	100.4	140.7	14,125	100.4	133.4	13,397	X	X	X
HBZ-R1-100-50		98.5	149.0	14,172	98.5	144.5	14,235	98.5	137.1	13,501	X	X	X
HBZ-R1-150-40	120-277VAC	149.1	145.0	21,551	153.2	141.4	21,667	148.8	134.3	19,984	X	X	X
HBZ-R1-150-50		144.7	149.0	21,579	147.3	145.9	21,496	144.3	139.0	20,059	X	X	X
HBZ-R1-150-40-V	277-480VAC	152.2	144.8	22,040	152.2	140.5	21,379	152.2	133.2	20,277	X	X	X
HBZ-R1-150-50-V		150.5	145.3	21,877	150.5	141.0	21,220	150.5	133.7	20,127	X	X	X





G2E

Power & CCT Selectable Flat Panel Gen 2E

120-277Vac
BLE Mesh Control Available
Power & CCT Selectable
PNP Sensor Available

PRODUCT FEATURES

- Low profile, low glare, low flicker, classic design
- PMMA lens, PS diffuser
- Ambient operating temperature: -10°C (14°F) to 40°C(104°F)
- THD<14%, Power Factor>0.97
- UL 1598 suitable for damp locations, Type IC
- Emergency backup options available
- Stand Alone Fixture Control(SAFC) options available
- BLE Mesh Control(LLC) and Circuit Level control(LALC) options available
- Surface mount kit and flange kit available
- Calculated L70>100,000 hours

POWER AND COLOR TEMPERATURE SELECTABILITY

- Feature Color Selectable Technology: Adjust CCT between 3500K / 4000K / 5000K
- Feature Power Selectable Techology: Adjust wattage between 20W / 25W / 30W(1X4), 16W / 20W / 30W(2X2), 30W / 40W / 50W(2X4)

PRODUCT SPECIFICATIONS

Model Number	Input Voltage	3500K			4000K			5000K		
		Wattage (W)	Efficacy (LM/W)	Output (LM)	Wattage (W)	Efficacy (LM/W)	Output (LM)	Wattage (W)	Efficacy (LM/W)	Output (LM)
FPBL14-20W-T1-S	120-277 VAC	29	125.9	3,625	28	136.8	3830	29	127.3	3,641
		25	128.4	3,209	25	139.5	3488	25	129.9	3,246
		20	130.9	2,618	20	142.3	2845	20	132.4	2,648
FPBL22-20W-T1-E		30	125.6	3,717	28	136.7	3868	29	130.5	3,796
		25	128.1	3,202	25	139.4	3485	25	133.1	3,327
		20	130.6	2,612	20	142.1	2843	20	135.7	2,714
FPBL24-30W-T1-E		42	122.6	5,136	39	130.8	5089	40	124.7	4,974
		35	125.0	4,376	35	133.4	4670	35	127.1	4,450
		30	127.5	3,825	30	136.1	4082	30	129.6	3,889





DUO TROFFER G2

Power & CCT Selectable Low Profile Troffer G2

BLE Mesh Control Available

Power & CCT Selectable

120-277Vac

PNP Sensor Available

PRODUCT FEATURES

- Low Profile, Low Glare, Low Flicker, Classic Design
- Ambient Operating Temperature: -20°C(-4°F) To 50°C(122°F)
- Pf>0.97, Thd<20%
- Stand Alone Fixture Control(Safc) Options Available
- Emergency Backup Options Available
- Ble Mesh Control(LIIC) And Circuit Level Control(LalC) Options Available
- Surface Mount Kit Available
- Baa Models Available
- L70>100,000 Hrs,5 Year Limited Warranty

POWER AND COLOR TEMPERATURE SELECTABILITY

- Feature Color Selectable Technology: Adjust CCT between 3500K/4000K/5000K
- Feature Power Selectable Technology: Adjust wattage between 20W/25W/30W(1x4), 20W/25W/30W(2x2), 25W/30W/35W(2x4)

PRODUCT SPECIFICATIONS

Model Number	Input Voltage	Nominal	3500K			4000K			5000K		
		Wattage (W)	Wattage (W)	Efficacy (LM/W)	Lumens (LM)	Wattage (W)	Efficacy (LM/W)	Lumens (LM)	Wattage (W)	Efficacy (LM/W)	Lumens (LM)
ECRT22-20W-T1	120-277V	30	28.9	132.8	3,839	27.8	144.6	4,020	28.8	134.5	3,875
		25	23.7	136.8	3,241	22.9	147.5	3,377	23.7	138.5	3,283
		20	19.0	140.1	2,661	18.5	149.2	2,760	19.1	142.0	2,713
ECRT24-25W-T1	120-277V	35	34.5	124.9	4,308	32.7	139.5	4,561	34	126.4	4,298
		30	29.4	128.9	3,789	27.9	142.5	3,977	29	130.6	3,788
		25	24.2	132.9	3,217	23.2	145.1	3,367	24	134.4	3,225
ECRT14-20W-T1	120-277V	30	29.1	129.7	3,781	28.1	143.8	4,046	29.1	131.2	3,824
		25	23.9	134.8	3,223	23.9	148.3	3,544	23.9	140.2	3,351
		20	19.3	139.4	2,687	19.3	153.3	2,959	19.3	145.0	2,798





DUO DK G2

Power & CCT Selectable Doorframe Retrofit Kit G2

BLE Mesh Control Available

120-277Vac

POWER & CCT Selectable

PNP Sensor Available

PRODUCT FEATURES

- Low profile, low glare, low flicker, classic design
- Ambient operating temperature: -20°C(-4°F) to 50°C(122°F)
- PF>0.97, THD<20%
- Stand Alone Fixture Control(SAFC) options available
- Emergency backup options available
- BLE Mesh Control(LLC) and Circuit Level Control(LALC) options available
- Surface mount kit available
- BAA models available
- L70>100,000 Hrs,5 Year Limited Warranty

POWER AND COLOR TEMPERATURE SELECTABILITY

- Feature Color Selectable Technology: Adjust CCT between 3500K/4000K/5000K
- Feature Power Selectable Technology: Adjust wattage between 20W/25W/30W(1x4), 20W/25W/30W(2x2), 25W/30W/35W(2x4)

PRODUCT SPECIFICATIONS

Part Number	Nominal	3500K			4000K			5000K		
	Wattage (W)	Wattage (W)	Efficacy (LM/W)	Lumens (LM)	Wattage (W)	Efficacy (LM/W)	Lumens (LM)	Wattage (W)	Efficacy (LM/W)	Lumens (LM)
ECDK22-20W-T1	30	29.3	125.1	3,669	28.2	139.3	3,925	29.2	127.2	3,709
	25	24.0	130.0	3,116	23.2	143.1	3,320	23.9	132.3	3,166
	20	19.6	134.3	2,627	19.0	146.1	2,779	19.6	137.0	2,682
ECDK24-25W-T1	35	33.7	124.1	4,178	32.5	139.0	4,519	33.6	125.5	4,220
	30	28.5	128.5	3,666	27.6	142.0	3,917	28.6	129.8	3,710
	25	23.5	132.9	3,122	22.8	145.1	3,308	23.5	134.2	3,155





HUARON

DUO Selectable Architectural Linear Fixture

- Direct & Indirect Light
- Integrated EM Available
- Power & CCT Selectable
- Custom Configurations

PRODUCT FEATURES

- Feature Power Selectable Technology: 3 Step Wattage Adjustable
- Feature CCT Selectable Technology: Adjust CCT Between 3500K/4000K/5000K
- Powered By 0-10V Dimming (Dim To Off) Driver
- 12VDC Aux Output For Extended Wireless Control
- UL Listed 1598: Suitable For Damp Locations
- Ambient Operating Temperature: -20°C(-4°F)~40°C(104°F)
- Versatile Mounting Options: Suspension, Surface, Wall, Recessed
- Multiple Connecting Parts For Custom Design: X Shape, T Shape, L Shape
- Extruded Acrylic Diffuser Features Smooth Sides
- irect Light(100%) Models Come Standard, Direct(70%)-ndirect(30%) Models Come Optional
- ccupancy Sensor & Em Backup Options Available
- hite Finish Comes Default, Custom Paint Available
- 70>100,000 Hours @25°C Ambient Fixture Temperature
- Baa Compliant(Optional)

PRODUCT SPECIFICATIONS

Model Number	CCT	Nominal Wattage(W)	Efficacy(LM/W)	Lumens(LM)
LIFI2-18W-T1	3500K/4000K/5000K Selectable	11/14/18 Selectable	98~127	1,276~2,106
LIFI4-36W-T1		22/29/36 Selectable	98~127	2,570~3,934
LIFI8-72W-T1		43/58/72 Selectable	98~127	4,988~8,424





LNS G2

Power & CCT Selectable Linear Strip

BLE MESH Control Available

Power & CCT Selectable

Integrated EM Available

Snap-lock Body Design

PRODUCT FEATURES

- Powered by 0-10V dimming driver (dim to off)
- 12Vdc AUX output for extended wireless control
- Ambient operating temperature: -20°C(-4°F) to 50°C(122°F)
- PF>0.95, THD<20%
- Snap-lock design, easy for installation and maintenance
- Stand Alone Fixture Control (SAFC) options available
- BLE Mesh Control (LLLC) and Circuit Level Control (LALC) options available
- BAA Copmliant (Optional)
- Feature Power Selectable Technology: 3 step power adjustable
- Feature CCT Selectable Technology: Adjust CCT between 3500K/4000K/5000K
- L70>100,000 Hrs,5 Year Limited Warranty

PRODUCT SPECIFICATIONS

Model Number	Nominal	3500K			4000K			5000K		
	Wattage (W)	Wattage (W)	Efficacy (LM/W)	Lumens (LM)	Wattage (W)	Efficacy (LM/W)	Lumens (LM)	Wattage (W)	Efficacy (LM/W)	Lumens (LM)
LNS-2FT-15-T1-F-G2	15	15.4	142.6	2,196	15.4	149.8	2,307	15.4	146.9	2,262
	20	20.5	138.4	2,838	20.5	145.4	2,981	20.5	142.6	2,923
	25	26.0	134.4	3,492	26.0	141.2	3,671	26.0	138.4	3,598
LNS-4FT-25-T1-F-G2	25	25.3	141.4	3,575	24.5	154.9	3,789	25.3	144.4	3,659
	30	30.7	137.2	4,216	29.4	152.6	4,491	30.8	140.0	4,316
	40	42.9	128.4	5,509	40.5	146.3	5,931	42.9	130.7	5,606
LNS-4FT-55-T1-F-G2	55	55.6	138.5	7,703	55.6	151.8	8,440	55.6	141.5	7,866
	60	61.5	134.5	8,271	61.5	149.6	9,198	61.5	137.2	8,437
	65	66.5	125.9	8,369	66.5	143.4	9,534	66.5	128.1	8,518
LNS-8FT-55-T1-F-G2	55	55.6	141.4	7,860	55.6	154.9	8,612	55.6	144.4	8,027
	60	61.5	137.2	8,440	61.5	152.6	9,386	61.5	140.0	8,609
	65	66.5	128.4	8,540	66.5	146.3	9,729	66.5	130.7	8,692
LNS-8FT-65-T1-F-G2	65	65.2	141.4	9,217	65.2	154.9	10,099	65.2	144.4	9,413
	75	75.1	137.2	10,306	75.1	152.6	11,461	75.1	140.0	10,513
	90	89.4	128.4	11,481	89.4	146.3	13,079	89.4	130.7	11,685





WRAP LIGHT

4FT DUO Selectable Wrap Light

BLE Mesh Control Available

Integrated EM Available

Power & CCT Selectable

0-10V Dimming

PRODUCT FEATURES

- Powered by 0-10V dimming driver (dim to off)
- 12Vdc AUX output for extended wireless control
- Ambient operating temperature: -20°C(-4°F) to 50°C(122°F)
- PF>0.9, THD<20%
- Feature power selectable and CCT selectable technology
- Stand Alone Fixture Control (SAFC) options available
- BLE Mesh Control (LLLC) and Circuit Level Control (LALC) options available
- BAA compliant (Optional)
- L70>100,000 Hrs,5 Year Limited Warranty

POWER AND COLOR TEMPERATURE SELECTABILITY

- Feature Power Selectable Technology: Adjust wattage between 30W/35W/40W
- Feature CCT Selectable Technology: Adjust CCT between 3500K/4000K/5000K

PRODUCT SPECIFICATIONS

Model Number	Length	CCT	Nominal Wattage(W)	Efficacy(LM/W)	Lumens(LM)
WR3-4FT-30-T1-F	4FT	3500K/4000K/5000K Selectable	30	136/138/137	4,080/4,140/4,110
			35	133/135/134	4,655/4,725/4,690
			40	130/132/131	5,200/5,280/5,240





DUO DOWNLIGHT G2

Power & CCT Selectable Downlight

Power & CCT Selectable

120-277Vac

New Construction
Plate Available

Goof Ring Available

PRODUCT FEATURES

- Power Selectable: covering 5 wattage selections with 1 SKU
- CCT Selectable: Adjust CCT between 2700K/3000K/3500K/4000K/5000K
- Ambient operating temperature: -20°C(-4°F) to 40°C(104°F)
- PF>0.9, THD<20%
- 0-10V dimming
- Goof ring and new construction plate available
- L70>100,000 Hrs, 5 Year Limited Warranty

PRODUCT SPECIFICATIONS

Model Number	Input Voltage	CRI	CCT	Nominal Wattage(W)	Efficacy(LM/W)	Lumens(LM)
DR4T-16-T2-T2	120-277Vac	>80	2700K-5000K Selectable	6/8/10/12/16	100	6,00-1,600
DR6T-30-T2-G2				12/16/22/26/30		1,200-3,000
DR8T-35-T2-G2				16/22/26/30/35		1,600-3,500
DR10T-40-T2-G2				22/26/30/35/40		2,200-4,000





eLucent

ELD LED Retrofit Downlight

120Vac

4" & 6"

CCT Selectable

Triac Dimming

DESCRIPTION

FEATURES

- Replaces legacy 4" or 6" CFL or incandescent downlights
- Integrated white trim with medium base(E26) socket adapters (included in packing) for direct replacement
- Field CCT selectable, 5 CCT selections

CERTIFICATIONS

- ETL Listed, Suitable for Wet Locations
- Energy Star Approved for superior energy efficiency
- Title 20 certified and supports compliance with Title 24 (JA8)

PERFORMANCE

- Rated lifetime L70: 5000 hrs+
- 2700K/3000K/3500K/4000K/5000K Selectable
- 765 LM for 4" downlight @4000K, 1100 LM for 6" downlight @4000K
- CRI>90

ELECTRICAL

- Input Voltage: 120V
- Triac dimming
- Power Factor: >0.9
- THD: <20%

THERMAL

-4°F to 104°F(-20°C to 40°C) operating temperature

CONSTRUCTION

- White finish comes standard
- Spinning metal housing, high quality PC lens
- Frosted lens for diffuse lighting

WARRANTY

5 year limited warranty, terms and conditions may apply

APPLICATIONS

- Multi-Residential (Dorms/Apartments)
- Classroom
- Office
- Reception/Lobby
- Restrooms
- Retail
- Dr. Offices/Waiting/ Patient Rooms
- Library
- Meeting rooms
- Dining/Cafeteria
- Airports
- Automotive Dealerships
- Hallways
- Stairwells

Lumen Chart

Model Number	Size	CCT	Wattage	CRI	Lumens
ELD4-9-5CCT-W-SM	4"	2700K/3000K/3500K/4000K/5000K	9W	90	765 LM
ELD4-9-5CCT-W-BM					
ELD6-13-5CCT-W-SM	6"	2700K/3000K/3500K/4000K/5000K	13W	90	1100 LM
ELD6-13-5CCT-W-BM					





eLucent

EDF Fire Rated LED Recessed Downlight

120Vac

4" & 6"

CCT Selectable

Triac Dimming

DESCRIPTION

Construction

- Steel housing provides durability and fire resistance
- Edge-lit technology allows for extremely thin fixture depth
- Off-board driver minimizes installation height and maximizes fixture life

Optical System

- Precision engineered optical stack creates uniform light distribution
- 2700K/3000K/3500K/4000K/5000K 5-step CCT selectable
- Utilizes high performing LEDs with 90+ CRI and an R9>60

Electrical

- Input voltage of 120VAC, 60Hz
- Operating temperature rating of -4°C(-20°C) to 113°F(45°C)
- Dimmable to 5% with TRIAC dimmers

Finish

- White powder coat finish trim
- Red powder coat finish backside to denote fire resistance

Mounting & Installation

- Spring-loaded retention tabs allow for easy installation into ceilings
- Remote driver/junction box
- Cut-out template and quick connectors included

Warranty

- 5-year limited warranty
- L70 calculated lifetime>100,000 hrs

Listings

- UL 1598 listed for wet locations
- UL 263 certified for 2hr fire resistance
- EnergyStar Listed(pending)
- CA Title 24 compliant
- Certified for direct contact with insulation (IC-rated)
- RoHS compliant: Free from harmful and hazardous materials

APPLICATIONS

- Multi-Residential (Dorms/Apartments)
- Classroom
- Office
- Reception/Lobby
- Restrooms
- Retail
- Dr. Offices/Waiting/Patient Rooms
- Library
- Meeting rooms
- Dining/Cafeteria
- Airports
- Automotive Dealerships
- Hallways
- Stairwells

Lumen Chart

Model Number	Wattage	CCT	CRI	2700K		3000K		3500K		4000K		5000K	
				Efficacy	Lumens	Efficacy	Lumens	Efficacy	Lumens	Efficacy	Lumens	Efficacy	Lumens
EDF4-9-T1	9W	2700K/3000K/3500K 4000K/5000K Select	90	77	697	78	691	84	733	92	788	89	804
EDF4-12-T1	12W			77	924	78	936	84	1008	92	1104	89	1068
EDF6-12-T1	12W			91	1086	93	1085	103	1173	110	1271	108	1289
EDF6-15-T1	15W			91	1365	93	1395	103	1545	110	1650	108	1620





EMERGENCY EXIT SIGN

EMERGENCY EXIT SIGN

- Ultra-bright, energy efficient, long life, red or green
- Single and double-sided option included
- Dual 120V-277V
- 1.2V 1000mAh Ni-MH battery
- Internal solid-state transfer switch automatically connects the internal batter to LED board for minimum of 90-minute emergency illumination
- Fully automatic solid-state, two rate charger initiates battery charging to recharge a discharged batter in 24 hours
- EZ-snap mounting canopy included for top or end mount
- Universal J-Box mounting pattern
- Bi-color, optional RED or GREEN letters

SLIM EMERGENCY EXIT SIGN COMBO

- Adjustable long-lasting, efficient ultrabright white LED lamp heads, 2 x 1W white LED per lamp head, 180 lumen output
- Long-lasting energy efficient red or green LED exit sign illumination
- 120V-277VAC universal input voltage
- Built-in 3.6V 100mAh Ni-MH battery
- Unique all inclusive lamp, reflector, and lens assembly
- Internal solid-state transfer switch automatically connects the internal batter to LED board for minimum of 90-minute emergency illumination
- Fully automatic solid-state, two rate charger initiates battery charging to recharge a discharged batter in 24 hours
- EZ-snap mounting canopy included for top or end mount
- Universal J-Box mounting pattern



EMERGENCY LIGHT & REMOTE HEAD

DUAL HEAD EMERGENCY LIGHT

- Adjustable long-lasting, efficient ultra-bright white LED lamp heads which provides optimal center-to-center spacing.
- 2 X 1.2W lamp head (12X0.1W white LEDs), 205 lumen output
- Dual 120/277VAC input
- Charge rate/power "ON" LED indicator light and push-to-test switch for mandated code compliance testing.
- 3.6V 1000mAH long-life, maintenance-free, rechargeable Ni-Cad battery. 3.6V 2000mAH long-life, maintenance-free, rechargeable Ni-Cad battery for models with remote heads
- Internal solid-state transfer switch automatically connects the internal battery to LED board for minimum 90-minute emergency illumination
- Fully automatic solid-state, two rate charger initiates battery charging to recharge a discharged battery in 24 hours
- Meets UL924
- EZ-snap mounting canopy included for top or end mount
- Universal J-Box mounting pattern
- Suitable for wall or ceiling mount

LED WATERPROOF REMOTE HEAD

- Injection-molded thermoplastic ABS housing.
- UL 94V-0 flame rating
- 3.6/9.6V voltage.
- 1.2W ultra bright white LED lamps. 100 lumen per lamp.
- Five years warranty for the electrical parts and housing.
- Universal mounting adapter plate included.

NOTE: This items is part of an assembly to use with ESC01 and ESC02



LSC STAIRWELL FIXTURE

Power & CCT Selectable Curved Stairwell Fixture

POWER & CCT Selectable

EM Available

SAFC Sensor Ready

EM Unit Available

PRODUCT FEATURES

- Feature Power Selectable Technology: 4 step power adjustable
- Feature CCT Selectable Technology: Adjust CCT between 3500K/4000K/5000K
- Powered by 0-10V dimming driver (dim to off)
- 12Vdc AUX output for extended wireless control
- Ambient operating temperature: -25°C(-13°F) to 40°C(104°F)
- PF>0.95, THD<20%
- Stand Alone Fixture Control (SAFC) comes standard (pre-installed)
- BLE Mesh Control (LLLC) and Circuit Level Control (LALC) options available, sold separately
- Emergency Battery Backup available, sold separately
- L70>100,000 Hrs, 10 Year Limited Warranty

PRODUCT SPECIFICATIONS

Model Number	Length	CCT	Nomial Wattage(W)	System Wattage(W)	Efficacy(LM/W)	Lumens(LM)
LSC-2FT-30-T1-F-SL	2FT	3000K/4000K/5000K Selectable	10/14/20/30 Selectable	9.3/13.6/19.2/29.0 Selectable	124.0~140.1	1,184~ 3,955
LSC-4FT-40-T1-F-SL	4FT		12/18/25/40 Selectable	11.5/17.9/24.9/40.3 Selectable		





LSW STAIRWELL FIXTURE

Power & CCT Selectable Linear/Stairwell Fixture

Linear/Stairwell Combination

EM Available

SAFC Sensor Ready

EM Unit Available

PRODUCT FEATURES

- Feature Power Selectable Technology: 4 step power adjustable
- Feature CCT Selectable Technology: Adjust CCT between 3000K / 4000K / 5000K
- Powered by 0-10V dimming driver (dim to off)
- 12Vdc AUX output for extended wireless control
- Ambient operating temperature: -25°C(-13°F) to 40°C(104°F)
- PF>0.95, THD<20%
- Stand Alone Fixture Control (SAFC) comes standard (pre-installed)
- BLE Mesh Control (LLLC) and Circuit Level Control (LALC) options available, sold separately
- Emergency Battery Backup available, sold separately
- L70>100,000 Hrs, 10 Year Limited Warranty

PRODUCT SPECIFICATIONS

Model Number	Length	CCT	Nomial Wattage(W)	System Wattage(W)	Efficacy(LM/W)	Lumens(LM)
LSW-2FT-30-T1-F-SL	2FT	3000K/4000K/5000K Selectable	10/15/20/30 Selectable	9.2/15.3/19.4/29.8 Selectable	124.2~142.8	1,179~4,071
LSW-4FT-40-T1-F-SL	4FT		12/18/25/40 Selectable	11.6/18.1/25.0/40.5 Selectable	125.2~143.9	1,500~5,578
LSW-8FT-80-T1-F-SL	8FT		45/60/70/80 Selectable	45/60/70/80 Selectable	123.3~141.0	6,024~11,406





LSD

LSD Power & CCT Selectable Stairwell Fixture

120-277Vac

2" & 4"

Power & CCT Selectable

Ultrasonic Sensor Available

PRODUCT FEATURES

- Soft-glow acrylic lens, reduces glare and provides even light distribution
- UL listed for damp locations
- Surface/wall mount comes standard, V-hook and chain optional
- Powered by 0-10V dimming driver(down to 10%)
- Feature power selectable technology: 3 step power adjustable
- Feature CCT selectable technology: adjust CCT between 3500K/4000K/5000K
- 12VDC AUX output for extended wireless control
- Ambient operating temperature: -20°C(4°F) to 50°C(122°F)
- PF>0.95, THD<20%
- Ultrasonic sensor available, EM unit available
- L70>100,000 hrs, 10 years limited warrant

PRODUCT SPECIFICATIONS

Model Number	Input Voltage (Vac)	Nominal Watts(W)	3500K			4000K			5000K		
			Watts (W)	Efficacy (LPW)	Output (LM)	Watts (W)	Efficacy (LPW)	Output (LM)	Watts (W)	Efficacy (LPW)	Output (LM)
LSD-2FT-15-T1-F-U1	120-277	25	25	134	3,350	25	136	3,400	25	135	3,375
		20	20	136	2,720	20	138	2,760	20	137	2,740
		15	15	138	2,070	15	140	2,100	15	139	2,085
LSD-4FT-30-T1-F-U1	120-277	50	49	121.6	5,932	46	133.3	6,194	49	122.2	6,001
		40	37	127.5	4,735	36	137.1	4,874	37	128.0	4,750
		30	30	131.2	3,910	29	139.4	4,012	30	131.9	3,958
LSD-4FT-45-T1-F-U1	120-277	65	65	134	8,710	65	136	8,840	65	135	8,775
		55	55	136	7,480	55	138	7,590	55	137	7,535
		45	45	138	6,210	45	140	6,300	45	139	6,255
LSD-4FT-70-T1-F-U1	120-277	90	90	134	12,060	90	136	12,240	90	135	12,150
		80	80	136	10,880	80	138	11,040	80	137	10,960
		70	70	138	9,660	70	140	9,800	70	139	9,730





ATLAS VPM

Power & CCT Selectable Vapor Tight Fixture

POWER & CCT Selectable

120-277Vac Input

BLE MESH Control Available

EM Unit Available

PRODUCT FEATURES

- Powered by 0-10V dimming driver
- 12Vdc AUX output for extended wireless control
- Ambient operating temperature: -40°C(-40°F) to 50°C(122°F)
- PF>0.9, THD<20%, CRI>83
- IP66, suitable for rugged, demanding applications
- Feature power selectable and CCT selectable technology
- Adjust CCT between 3500K / 4000K / 5000K
- Adjust wattage between 30W / 40W / 50W (4ft), 60W / 80W / 100W (8ft)
- L70 Lifetime >100,000 hrs
- Stand Alone Fixture Control (SAFC) options available
- BLE Mesh Control (LLLC) and Circuit Level Control (LALC) options available
- Emergency battery pack available
- L70>100,000 Hrs,10 Year Limited Warranty

PRODUCT SPECIFICATIONS

Model Number	3500K			4000K			5000K		
	Wattage (W)	Efficacy (LM/W)	Lumens (LM)	Wattage (W)	Efficacy (LM/W)	Lumens (LM)	Wattage (W)	Efficacy (LM/W)	Lumens (LM)
VPM-4FT-50P-T1	30	139.7	4,191	30	145.9	4,378	30	141.9	4,258
	40	136.7	5,467	40	142.9	5,715	40	138.9	5,554
	50	132.6	6,684	50	138.7	6,991	50	134.6	6,784
VPM-8FT-100P-T1	60	140.8	8,448	60	147.1	8,823	60	142.9	8,575
	80	136.7	10,935	80	142.9	11,429	80	138.7	11,095
	100	134.7	13,468	100	140.4	14,036	100	136.4	13,635





ATLAS VPL



LED Vapor Tight Fixture for Food Industry

- Fit For Coolers & Freezers
- DLC & NSF Compliance
- EM Unit Available
- 0-10V Dimming

PRODUCT FEATURES

- Features CCT Select Technology: Adjust CCT between 3500K/4000K/5000K
- Features Power Select Technology: Adjust power between 70W/80W/90W(2FT), 150W/175W/200W(4FT)
- Ambient operating temperature: -40°C(-40°F) to 40°C(104°F)
- 0-10V dimming, with 12VDC auxiliary port for controls
- PF>0.95, THD<20%
- DLC Premium qualified
- NEMA4X Rating Listed, IP66
- NSF qualified
- Cord and plug available, order separately
- Surface mount comes standard
- V-hooks and chains for suspension mount available, order separately
- Sensor available, order separately
- Emergency backup battery available, order separately
- L70 Lifetime >100,000 Hrs, 10 Year Limited Warranty

APPLICATION

Commercial, Coolers & Freezers, Food Processing, Industrial& Manufacturing Facilities, Dusty Areas

PRODUCT SPECIFICATIONS

Parent Part Number (For Ordering)	Input Voltage	CCT	CRI	Nominal Wattage(W)*	Lumens (LM)**	Efficacy (LM/W)
VPL-2FT-70P-T1	120-277V	3500K/4000K/5000K Selectable	>80	70	9,338~10,073	133.4~143.9
				80	10,568~11,400	132.1~142.5
				90	11,772~12,699	130.8~141.1
VPL-4FT-150P-T1	120-277V	3500K/4000K/5000K Selectable	>80	150	20,490~21,015	136.6~140.1
				175	23,660~24,273	135.2~138.7
				200	26,780~27,460	133.9~137.3



OUTDOOR LED LUMINAIRES





ARCHER G2

Architectural Area Light/Floodlight Combination

Power Selectable

120-277Vac
(347-480Vac Optional)

PNP Sensor Available

Multiple Optics Available

PRODUCT FEATURES

- Heavy duty die cast aluminum housing with ample heat sinking. Compact, low profile design delivers high-performance illumination and improves application site aesthetics.
- High-quality finishes prevent corrosion, protects against extreme environmental conditions. Custom paint are available with additional cost and lead time.
- Power selectable technology, covering 3 wattage selections with 1 SKU.
- Type III lens comes standard(pre-installed). Type II, Type IV and Type V lenses sold separately. Exceptional coverage and uniformity are provided.
- Four contractor-friendly mounting options available (sold separately): slipfitter, adjustable arm mount for both round and square poles, trunnion mount, yoke mount
- 0-10V dimmable driver featuring 12V AUX power tap, 6KV surge protection. 347-480V are available with additional cost and lead time.
- Sensor receptacle pre-installed, plug-and-play occupancy sensor sold separately. Bluetooth mesh smart sensor optional.
- Integrated NEMA/ANSI C136.10 3-pin and 7-pin photocell optional.
- L70 Lifetime >100,000 Hrs, 10 Year Limited Warranty

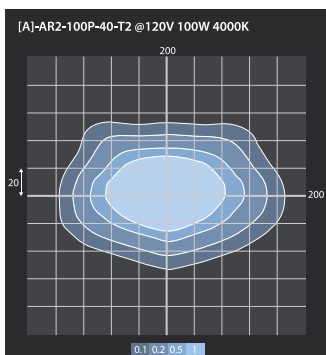




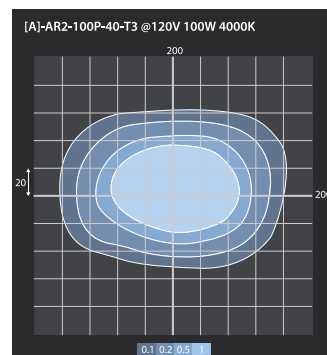
LIGHT DISTRIBUTION PATTERN

Area light is mounted at 20 ft. Calculation Area is set as 200 x 200 ft and the point spacing is 20 x 20 ft.

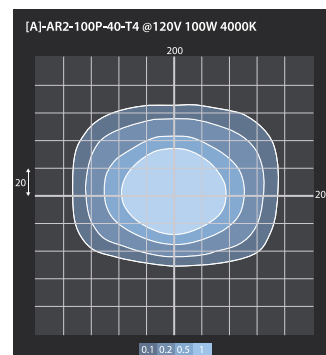
TYPE II (T2)



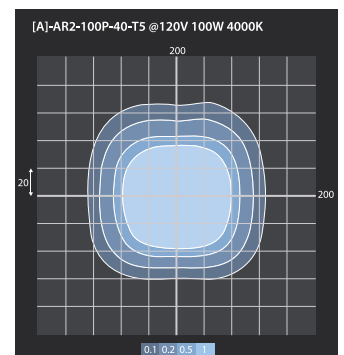
TYPE III (T3)



TYPE IV (T4)



TYPE V (T5)



PRODUCT SPECIFICATIONS

Model Number	Nominal Wattage	4000K		5000K		Optics	BUG (MAX)
		Efficacy (LM/W)	Lumens (LM)	Efficacy (LM/W)	Lumens (LM)		
AR2-100P	60/80/100 Selectable	149~161	9,728~15,046	152~164	9,922~15,347	T2/T3/T4/T5	B3-U3-G3
AR2-150P	100/120/150 Selectable	152~165	16,883~22,056	155~168	17,221~22,701		B4-U3-G3
AR2-300P	200/240/300 Selectable	150~158	30,076~46,463	156~161	33,738~46,513		B5-U3-G5



AIRIA

Architectural Area Light

Multiple Mountings Available

120-277Vac
(347-480Vac Optional)

SAFC Sensor &
Photocell Available

4 Optics Available
(T2 & T3 & T4 & T5)

PRODUCT FEATURES

- Sleek low profile design, rugged construction, advanced thermal management.
- Provides outdoor lighting that is both energy efficient and aesthetically pleasing.
- Type III lens comes standard(pre-installed). Type II, Type IV and Type V lenses sold separately. Exceptional coverage and uniformity are provided.
- Universal arm mount, slipfitter and wall mount are available.
- Plug-and-play occupancy sensor sold separately. Bluetooth mesh smart sensor optional.
- Integrated NEMA/ANSI C136.10 3-pin and 7-pin photocell optional.
- L70 Lifetime >100,000 Hrs, 10 Year Limited Warranty

PRODUCT SPECIFICATIONS

Model Number	Optics	CCT	Nominal Wattage(W)	Efficacy(LM/W)	Lumens(LM)
AA-75-XX	T2/T3/T4/T5	4000K/5000K	75	125-128	9,375-9,592
AA-100-XX			100	130-133	13,040-13,297
AA-150-XX			150	131-134	19,712-20,097
AA-300-XX			300	136-139	40,758-41,717





CLIO G2

DUO Selectable LED Post Top/Area Light

4 Optics Available
(T2 & T3 & T4 & T5)

120-277Vac
(347-480Vac Optional)

Power & CCT Selectable

0-10V Dimming

PRODUCT FEATURES

- Modern, European Look
- Constructed from durable, corrosion-resistant, cast aluminum
- Silicone gasketing is provided for complete weather and insect protection
- High-performance optics feature T2, T3, T4 & T5 distributions
- Surge Protection: L/N-PE 10KV, L-N 6KV (20KV Optional)
- PF>0.95, THD<20%
- Features Wattage Select Technology: Adjust power between 130W / 100W / 80W / 60W
- Feature CCT Select Technology: Adjust CCT between 3000K / 4000K / 5000K
- Available in standard and custom colors
- L70 Lifetime >100,000 Hrs, 10 Year Limited Warranty

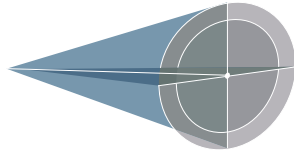
APPLICATION

Campus, Business Park, Walkway, Condo, Commercial Property

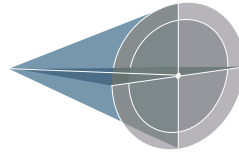
PRODUCT SPECIFICATIONS

Part Number	Input	CRI	Nominal Wattage(W)	3000K		4000K		5000K		BUG
				Efficacy (LM/W)	Light Output(LM)	Efficacy (LM/W)	Light Output(LM)	Efficacy (LM/W)	Light Output(LM)	
PTV2-100P-T1-T3	120-277V	>70	130	145.6	18,923	151.4	19,687	148.5	19,253	B3-U0-G3
			100	147.0	14,701	153.0	15,295	150.0	14,995	
			80	148.5	11,879	154.5	12,359	151.5	12,116	
			60	150.0	8,998	156.0	9,362	153.0	9,178	

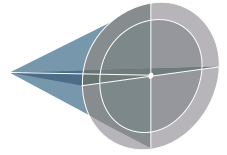




Narrow Flood 4 x 4



Medium Flood 5 x 5



Wide Flood 6 x 6

ULTRA SPORTS LIGHT G2

LED Sports Light/High Mast Floodlight Combination

120-277Vac/347-480Vac

BLE MESH Control Available

Multiple Optics Available

Multiple Mountings

PRODUCT FEATURES

- Heavy duty die cast aluminum housing with ample heat sinking
- Precision crafted optics that ensure uniform, proper lighting
- Available in multiple beam angle option
- Yoke mount comes standard, slipfitter optional
- Glare visor and laser pointer optional, sold separately
- 120-277V universal input, 347-480V input optional
- RGB options available with DMX control
- Glare visor available, sold separately
- Photocell available, sold separately
- UL listed for wet locations, IP65
- PF>0.95, THD<20%
- Ambient operating temperature: -40°F(-40°C) to -113°F(45°C)
- L70>100,000 Hrs, 5 Year Limited Warranty

PRODUCT SPECIFICATIONS

Model Number	CCT	System Wattage(W)	Efficacy(LM/W)	Lumens(LM)	Optics	BUG w/ Visor
SP2-40-40	3000K/4000K/5000K	401	136.3	54,649	30°/40°/60°/80°/120°	B5-U0-G2
SP2-50-40		508	138	70,081		B5-U0-G3
SP2-60-40		613	136.8	83,791	20°/30°/40°/60°/80°	B5-U0-G5
SP2-75-40		767	146.5	112,312		B5-U0-G5
SP2-100-40		994	140.2	139,269		B5-U0-G5
SP2-120-40		1,238	141.9	175,725	20°/30°/40°	B5-U0-G5





VULCAN V1

HIGH MAST FLOOD LIGHT

Multiple Optics Available

120-277Vac
(347-480Vac Optional)

RGB Option Available
(with DMX Control)

Multiple Mounting Options

PRODUCT FEATURES

- High-powered, corrosion resistant, die-cast aluminum housing
- RGB options available, with DMX control
- Yoke Mount comes standard, Knuckle Mount and Slipfitter optional (500W/600W)
- Ten optics available for different applications with symmetric or asymmetric distribution
- Multiple visors, louver, and tamper proof hardware available
- 10KV & 20KV surge protection available
- PF>0.9, THD<20%
- L70>624,000 Hrs, 10 Year Limited Warranty

PRODUCT SPECIFICATIONS

Model Number	CCT Range	Nominal Wattage	Efficacy	Lumens	Optics
VUL1-50-XX	2700K-5000K	500W	138-162 LM/W	61,309-81,162 LM	Asymmetric 20°x40°/25°x105° Asymmetric NB, WB, VWB Symmetric 12° VNB/15° VNB/25° NB/50° MB
VUL1-60-XX		600W	133-151 LM/W	76,342-89,734 LM	
VUL1-75-XX		750W	118-139 LM/W	89,535-104,847 LM	
VUL1-1000-XX		1000W	128-159 LM/W	120,971-158,643 LM	
VUL1-1200-XX		1200W	121-164 LM/W	142,841-201,677 LM	
VUL1-1500-XX		1500W	118-145 LM/W	179,046-218,967 LM	





VULCAN V2

ROUND HIGH MAST FLOODLIGHT

Multiple Optics Available

120-277Vac
(347-480Vac Optional)

HSS Available

Photocell Available

PRODUCT FEATURES

- High-powered, corrosion resistant, die-cast aluminum housing
- Multiple optics (Type II, Type III, Type IV, Type V)
- Photocell available, order separately
- HSS available, order separately
- Ambient operating temperature: -40°C(-104°F) ~ 45°C(113°F)
- 10KV & 20KV surge protection optional
- L70 Lifetime >100,000 hrs, 10 Year Limited Warranty
- P>0.9, THD<15%

PRODUCT SPECIFICATIONS

Model Number	4000K			5000K		
	Nominal Wattage(W)	Efficacy (LM/W)	Lumens (LM)	Nominal Wattage(W)	Efficacy (LM/W)	Lumens (LM)
VUL2-20-XX	200	145	29,000	200	147	29,400
VUL2-30-XX	300	145	43,500	300	147	44,100
VUL2-45-XX	450	145	65,250	450	147	66,150
VUL2-50-XX	500	145	72,500	500	147	73,500
VUL2-60-XX	600	145	87,000	600	147	88,200
VUL2-75-XX	750	145	108,750	750	147	110,250





FORZA

Forza Beam Angle Adjustable Floodlight

120-277Vac
(277-480Vac Optional)

Beam Angle Selectable

Power & CCT Selectable

Sensor & Photocell Available

PRODUCT FEATURES

- High-powered, corrosion resistant, die-cast aluminum housing for durability and consistency
- Three mounting options available: Knuckle(Slipfitter), Trunnion, Yoke Mount
- Color Temperatures: 3000K/4000K/5000K selectable
- Beam Angle Adjustable: 90°(default), 75° and 55°
- NEMA Beam Spread of 7H x 6V
- 120-277Vac or 277-480Vac (150W+ models)
- Power Factor > 0.9, THD <10%
- L/N-PE: 2.5KV for 20W/35W models, L/N-PE: 6KV for other models
- Ambient operating temperature
- -30°C(-22°F) ~ 50°C(+122°F)
- Industry leading 10 year warranty for main components.
- 100,000+ Hrs L70 Lifetime based on LM-80 results and TM-21 calculations



Beam Angle Field Adjustable



CCT and Wattage Selectable

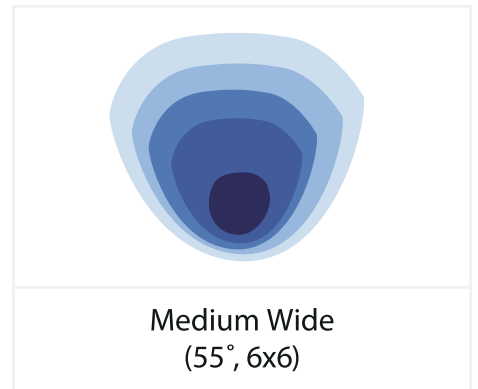
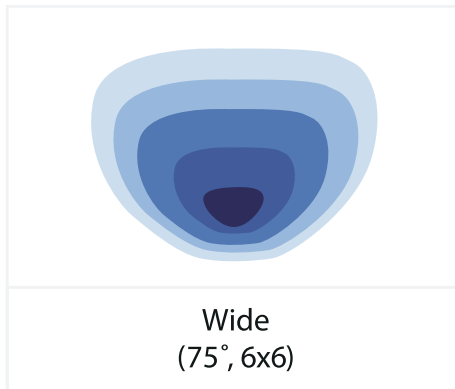


Beam Angle Field Adjustable





LIGHT DISTRIBUTION PATTERN



PRODUCT SPECIFICATIONS

Model Number	Input Voltage	Nominal Wattage(W)	3000K		4000K		5000K		Optics
			Efficacy (LM/W)	Lumens (LM)	Efficacy (LM/W)	Lumens (LM)	Efficacy (LM/W)	Lumens (LM)	
FLFZ-20W-T1	120-277V	20W/15W/10W Selectable	123 ~ 159	1,412 ~ 2,911	140 ~ 177	1,606 ~ 3,116	133 ~ 169	1,523 ~ 3,129	55°/75°/90° Select
FLFZ-35W-T1	120-277V	35W/25W/15W Selectable	121 ~ 155	2,093 ~ 4,675	138 ~ 171	2,372 ~ 5,021	130 ~ 164	2,248 ~ 5,026	55°/75°/90° Select
FLFZ-60W-T1	120-277V	65W/45W/35W Selectable	131 ~ 161	5,286 ~ 8,623	147 ~ 180	5,909 ~ 9,299	141 ~ 172	5,659 ~ 9,193	55°/75°/90° Select
FLFZ-80W-T1	120-277V (277-480V)	80W/70W/60W	130 ~ 169	8,964 ~ 11,558	145 ~ 187	10,009 ~ 12,338	140 ~ 178	9,615 ~ 12,268	55°/75°/90° Select
FLFZ-150W-T1	120-277V (277-480V)	150W/120W/100W	123 ~ 164	14,183 ~ 21,352	139 ~ 182	15,959 ~ 22,814	132 ~ 174	15,134 ~ 22,626	55°/75°/90° Select
FLFZ-320W-T1	120-277V (277-480V)	320W/280W/200W	131 ~ 150	29,268 ~ 43,098	143 ~ 159	30,336 ~ 45,989	137 ~ 153	30,053 ~ 45,625	55°/75°/90° Select
FLFZ-500W-T1	120-277V (277-480V)	500W/460W/420W	138 ~ 146	57,706 ~ 69,392	145 ~ 157	60,820 ~ 74,093	139 ~ 153	60,189 ~ 73,110	55°/75°/90° Select



GUARD PACK



DUO Selectable Full Cut-Off Wall Pack

SAFC Sensor & Photocell Available

120-277Vac

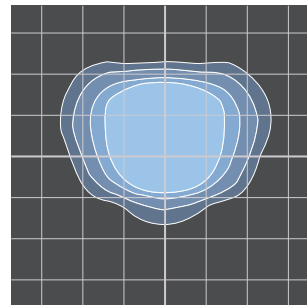
EM Unit Available

Power & CCT Selectable

PRODUCT FEATURES

- Architectural full cut-off design that improves building appearance and optimizes function light distribution
- Precision-crafted optical lens that provides wide distribution pattern ideal for increased fixture spacing and uniformity
- UL certified for wet locations, IP65 rated
- Feature power and CCT selectable technology
- Emergency battery backup available for emergency egress applications, sold separately
- Photocell available, pre-installed via 1/2" threaded conduit hub
- PF>0.9, THD<15%
- Ambient operating temperature: -22°F(-30°C) to 113°F(45°C)
- L70>100,000 Hrs, 5 Year Limited Warranty

LIGHT DISTRIBUTION PATTERN



PRODUCT SPECIFICATIONS

Parent Model Number	Wattage Selection	3000K			4000K			5000K		
		Wattage	Efficacy	Lumens	Wattage	Efficacy	Lumens	Wattage	Efficacy	Lumens
WPGP-28-40	10W	10.2	152.5	1,555	10.1	160.2	1,618	10.3	160.7	1,655
	20W	21.0	147.2	3,092	20.4	161.3	3,290	21.1	156.3	3,297
	28W	31.5	138.3	4,355	30.2	155.6	4,700	31.3	147.2	4,606
	40W	41.8	130.1	5,438	40.3	151.4	6,102	42.1	139.4	5,870
WPGP-40-40	40W	36.7	146.5	5,377	36.1	158.2	5,710	38.1	154.5	5,886
	50W	54.7	144.4	7,899	50.8	155.5	7,901	52.7	145.9	7,689
	60W	62.6	136.7	8,562	59.9	150.8	9,034	62.9	141.3	8,890
	80W	83.5	130.2	10,872	79.9	143.6	11,472	83.9	134.6	11,289





DEL

Decorative Emergency Light

CCT Selectable

120-277Vac

EM & Sensor Ready

0-10V Dimming

PRODUCT FEATURES

- Up to 138 LM/W efficacy
- IP65, UL wet location listed
- Easy installation & maintenance
- 0-10V dimmable, with integrated photocell & EM unit (90 minutes emergency operation)
- 120-277VAC universal input
- -40°C(-40°F)~45°C(113°F) operation temperature, -20°C(-4°F)~45°C(113°F) for EM operation temperature
- L70 Lifetime >100,000 Hrs, 10 Year Limited Warranty

APPLICATION

The DEL Series can be applied in areas that are susceptible to rain and severe moisture, such as parking decks and outdoor commercial applications.

PRODUCT SPECIFICATIONS

Model	Wattage	Input Voltage	Efficacy	Lm Flux	CRI	CCT	BUG	L70
DEL-15-CS	15W	120~277VAC	130LM/W	1740 LM	83	3500K	B1U3G1	50,000H
			138LM/W	1814 LM	83	4000K		
			133LM/W	1775 LM	83	5000K		





WPDSN

WPDSN DUO Selectable LED Wall Pack

120-277Vac

EM Unit Available

Power & CCT Selectable

Sensor & Photocell Available

PRODUCT FEATURES

- Heavy Duty Die Cast Aluminum Housing, With Glass Striped Lens
- Ingress Protection Rating of IP65
- Color Select Technology (3000K/4000K/5000K)
- Power Select Technology (80W/60W/40W)
- Calculated L70 Lifetime >136,000 Hrs @25°C/77°F Ambient Temperature
- On/Off Photocell Pre-installed
- Microwave Sensor Available (Order Separately)
- Emergency Backup Available (Order Separately)
- Input: 120-277VAC, 50/60Hz
- Operating Temperature: -40°F (-40°C) to 122°F (50°C)
- CRI>80, Power Factor >0.95, THD <20%
- 10 Year Limited Warranty Provided

APPLICATION

Building Exterior Illumination, Perimeters, Pathways, Loading Docks, Security Lighting

PRODUCT SPECIFICATIONS

Part Number	Input	Nominal Wattage(W)	3000K			4000K			5000K		
			Wattage (W)	Efficacy (LM/W)	Light Output(LM)	Wattage (W)	Efficacy (LM/W)	Light Output(LM)	Wattage (W)	Efficacy (LM/W)	Light Output(LM)
WPDSN-80W-T1-G5	120-277V	40	40.5	140.1	5,674	40.5	158.3	6,412	40.5	154.1	6,241
		60	62.7	139.8	8,762	62.7	158.0	9,901	62.7	153.8	9,638
		80	79.5	139.4	11,079	79.5	157.5	12,519	79.5	153.3	12,187





WPDSZ

WPDSZ DUO Selectable LED Wall Pack

120-277Vac

EM Unit Available

Power & CCT Selectable

Sensor & Photocell Available

PRODUCT FEATURES

- Heavy Duty Die Cast Aluminum Housing, With Glass Striped Lens
- Ingress Protection Rating of IP65
- Color Select Technology (3000K/4000K/5000K)
- Power Select Technology (120W/90W/60W/30W)
- Calculated L70 Lifetime >136,000 Hrs @25°C /77°F Ambient Temperature
- On/Off Photocell Pre-installed
- Microwave Sensor Available (Order Separately)
- Emergency Backup Available (Order Separately)
- Input: 120-277VAC, 50/60Hz
- Operating Temperature: -22°F (-30°C) to 113°F (45°C)
- CRI>80, Power Factor >0.95, THD <20%
- 10 Year Limited Warranty Provided

APPLICATION

Building Exterior Illumination, Perimeters, Pathways, Loading Docks, Security Lighting

PRODUCT SPECIFICATIONS

Part Number	Input	Nominal Wattage(W)	3000K			4000K			5000K		
			Wattage (W)	Efficacy (LM/W)	Light Output(LM)	Wattage (W)	Efficacy (LM/W)	Light Output(LM)	Wattage (W)	Efficacy (LM/W)	Light Output(LM)
WPDSZ-120W-T1-G5	120-277V	30	31.5	131.3	4,139	31.3	149.5	4,680	30.8	143.8	4,427
		60	63.3	124.3	7,865	62.2	143.1	8,903	60.6	142.6	8,646
		90	92.1	126.8	11,674	88.1	145.4	12,809	90.3	145.3	13,112
		120	122.1	119.8	14,627	115.7	142.0	16,435	119.8	140.9	16,880





SECTOR

DUO Selectable Canopy Light

Easy Mounting Bracket

120-277Vac

Power & CCT Selectable

EM Unit Available

PRODUCT FEATURES

- Secure, heavy-duty die cast aluminum housing, low profile design
- Suitable for standard junction box mounting or pendant mounting
- EZ mounting bracket, easy for installation and maintenance
- ETL Certified for wet locations, IP65 rated
- Feature Power Selectable technology (40W/50W/60W/75W)
- Feature CCT Selectable technology (3000K/4000K/5000K)
- Stand Alone Fixture Control(SAFC) options available, sold separately
- PF>0.95, THD<20%
- Ambient operating temperature: -40°C(-40°F) to 40°C(104°F)
- L70 Lifetime >100,000 Hrs, 10 Year Limited Warranty

PRODUCT SPECIFICATIONS

Wattage (W)	Lumen Data					
	3K		4K		5K	
	Efficacy (LM/W)	Lumens (LM)	Efficacy (LM/W)	Lumens (LM)	Efficacy (LM/W)	Lumens (LM)
75W	135.7	10,178	149.9	11,243	135.8	10,185
60W	138.4	8,305	152.9	9,174	138.5	8,311
50W	139.8	6,989	154.4	7,720	139.9	6,994
40W	141.1	5,645	155.9	6,236	141.2	5,649





GARAGE LIGHT

General Purpose LED Round Garage Light

LED ROUND GARAGE LIGHT

120-277Vac

SAFC Sensor Ready

0-10V Dimming

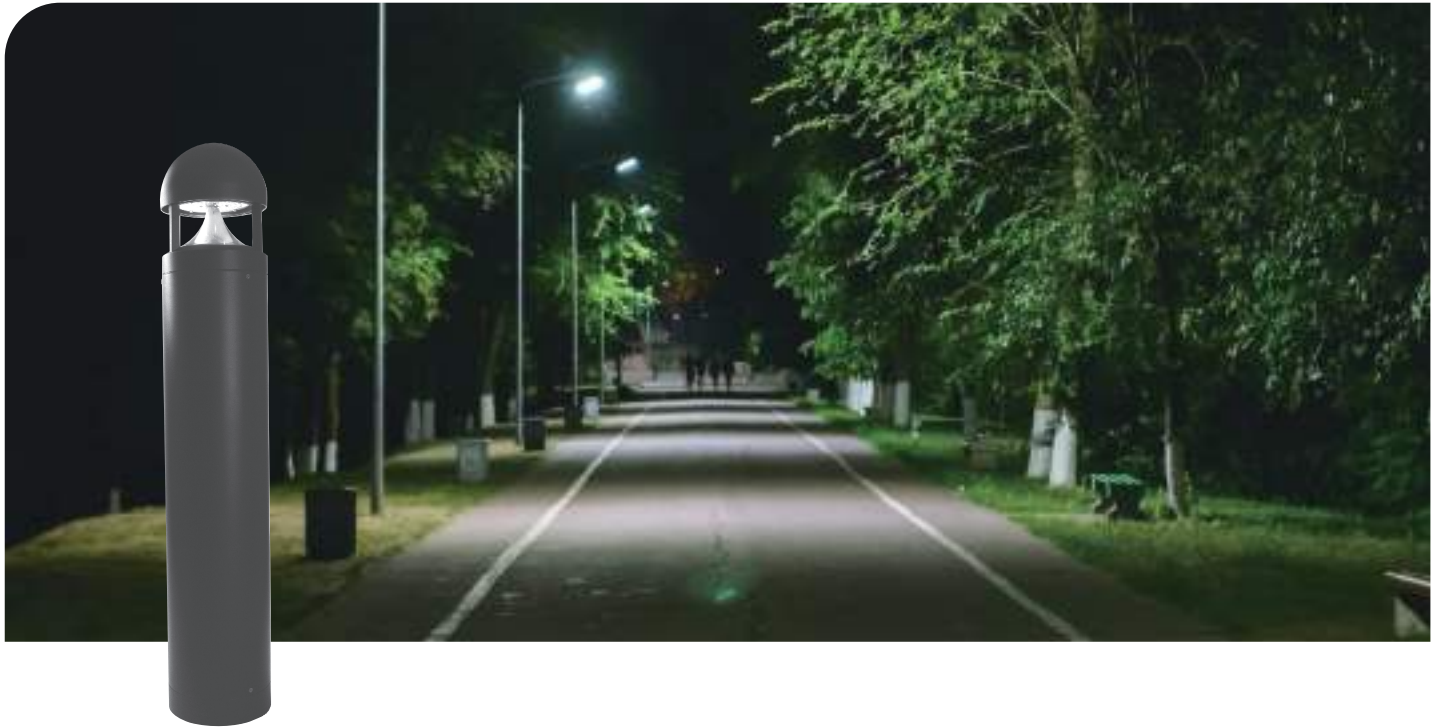
PRODUCT FEATURES

- Secure, heavy-duty die cast aluminum housing, slim design
- Protective and consistent lens, provide great light utilization and evenness
- Stand Alone Fixture Control (SAFC) options available, sold separately
- PF>0.9, THD<20%
- Ambient operating temperature: -20°C(-4°F) to 40°C(104°F)
- L70>243, 000 hrs, 10 Year Limited Warranty

PRODUCT SPECIFICATIONS

Lumen Data				
Model	CCT	Wattage (W)	Efficacy (LM/W)	Lumens (LM)
GRL-40-40-F-[Blank, SX]	4000K	39.6	139.95	5,545
GRL-40-50-F-[Blank, SX]	5000K	39.6	152.27	6,033
GRL-60-40-F-[Blank, SX]	4000K	60.1	138.98	8,346
GRL-60-50-F-[Blank, SX]	5000K	60.1	151.21	9,080





SPARTAN

CCT Selectable LED Bollard Light

EM Unit Solution Offered

120-277Vac

CCT SELECTABLE

Flat & Dome Top Available

PRODUCT FEATURES

- Built from high-strength extruded aluminum
- Modular design, with replaceable heads and shafts
- Feature CCT Selectable Technology (3000K / 4000K / 5000K)
- Photocell available, sold separately
- Emergency battery backup available
- 120-277V universal input, 0-10V Dimmable(10%-100%)
- UL certified for wet locations, IP65
- PF>0.9, THD<20%
- Ambient operating temperature: -4°F(-40°C) to 104°F(40°C)
- L70>100,000 Hrs, 10 Year Limited Warranty

PRODUCT SPECIFICATIONS

Model Number	Nominal Wattage(W)	Wattage(W)	CCT	Efficacy	Lumen
BLD-24-CS	24	24.5	3000K	94	2,303
			4000K	102	2,499
			5000K	98	2,401





Email Us

Office #: (951)245-6222

10588 Monte Vista Ave, Montclair, CA 91763

<https://atgledlighting.com/>

sales@atgledlighting.com