

4" LED Downlight

WARNING/ADVERTENCIA/AVERTISSEMENT

To reduce the risk of electrical shock, fire, or injury to persons; read and follow all warnings and installation instructions before installing. All installation should be performed by a qualified electrician.

Risk of Electric Shock

Ensure power is off before installation or inspection. All wirings are performed in accordance with Electrical Code and local electrical code.

Risk of Fire

Fixtures are rated for use in 120V only, 50-60Hz protected circuit and 90°C rated supply wire.

FOR YOUR SAFETY

While performing installations described, gloves, safety glasses or goggles should be worn.

Install this kit only in the luminaire that have the construction features and dimensions shown in the photographs and/or drawings. Do not make or alter any open holes in an enclosure of wiring or electrical components during kit installation.

To prevent wiring damage or abrasion, do not expose wiring to edges of sheet metal or other sharp objects.

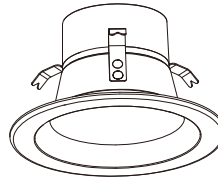
Do not alter, relocate, or remove wiring, lampholders, power supply, or any other electrical component.

THE RETROFIT KIT IS ACCEPTED AS A COMPONENT OF A LUMINAIRE WHERE THE SUITABILITY OF THE COMBINATION SHALL BE DETERMINED BY CSA OR AUTHORITIES HAVING JURISDICTION. SUITABLE FOR DAMP LOCATIONS.

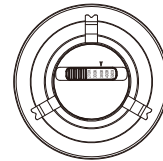
INSIDE THE BOX



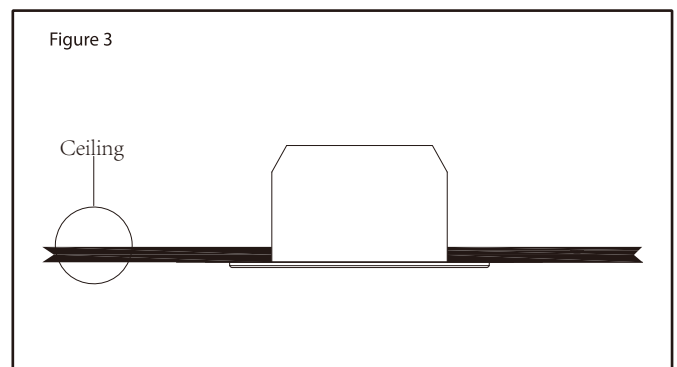
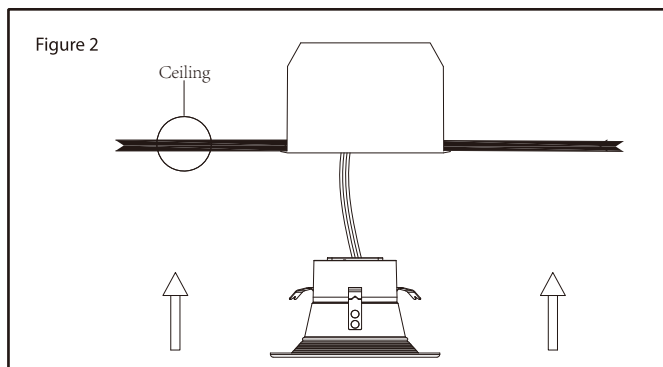
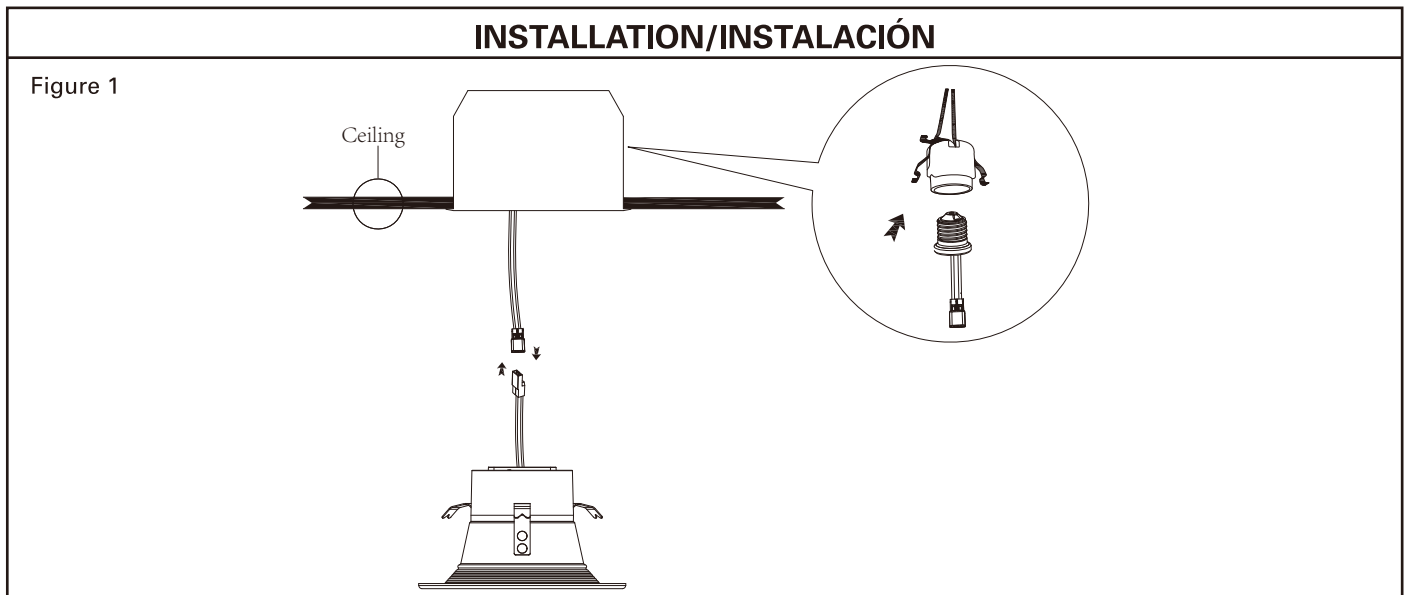
**E26
socket adapter**



4" Downlight



4" LED Downlight



ENGLISH

1. Turn off all power prior to installation
2. Remove the existing trim and bulb to gain access to the socket
3. Screw in the E26 socket adaptor into the open socket.
(Figure 1)
4. Plug in the quick connector.
5. Once connector is attached, gently push trim into fixture opening until flush with ceiling (Figure 2)
6. (For 4" Downlights) Loosen and adjust the plate inward or outward for 4" diameter (Figure 3)