



# ULTRA

Power Selectable Sports Light



**ULTRA**  
Power Selectable Sports Light



**DESCRIPTION**

LED Sports Light | Power Selectable | IP65 | 200-480Vac | Yoke Mount/Slipfitter | Multiple Optics |



**CONSTRUCTION**

- Die-cast Aluminum, Epoxy Powder Coat Finish
- Polycarbonate Lens
- Visor and laser pointer optional
- Power cable length: 4ft

**MOUNTING**

- Yoke mount comes standard
- Slipfitter optional (order separately)

**LED**

- Long life, high efficiency, surface mounted 3030 LEDs
- CRI 80

**OPTICS**

- 400W/500W/600W: 20°/30°/40°/60°/80°/120° (30° standard)
- 750W: 20°/30°/40°/60°/80° (30° standard)
- 1000W/1200W: 20°/30°/40°/60° (30° standard)

**ELECTRICAL**

- 200-480Vac, 50/60 Hz
- 400W/500W/600W/750W/1000W/1200W Power Selectable
- 0-10V dimming
- Power Factor >0.9, THD <10%
- L/N-PE: 10KV surge protection
- 20KV surge protection optional

**OPERATION TEMPERATURE**

- -40°C(-40°F) to 45°C(113°F)

**WARRANTY**

- Industry leading 10 year warranty for main components.

**Lifespan**

- 100,000+ hrs L70 lifetime based on LM-80 and TM-21 calculations

**LISTINGS**

- UL Listed, Suitable for wet locations
- DLC Premium(pending)
- 3G vibration resistant
- IK08
- IP65 rated

**ULTRA**  
Power Selectable Sports Light

**PRODUCT SPECIFICATIONS**

Model Number	Input (Vac)	Optics	CCT	Selection	4000K			5000K		
					Wattage (W)	Lumens (LM)	Efficacy (LM/W)	Wattage (W)	Lumens (LM)	Efficacy (LM/W)
SP8-40P-XX-M-20D	200-480	20°	4000K or 5000K	High	396	148	58,810	396	156	61,905
				Middle	300	154	46,303	300	162	48,740
				Low	200	157	31,462	200	166	33,118
SP8-50P-XX-M-20D	200-480	20°	4000K or 5000K	High	496	148	73,214	496	156	77,067
				Middle	400	154	61,460	400	162	64,694
				Low	300	157	46,981	300	165	49,454
SP8-60P-XX-M-20D	200-480	20°	4000K or 5000K	High	595	158	94,235	595	167	99,195
				Middle	500	165	82,316	500	173	86,649
				Low	400	168	67,119	400	177	70,652
SP8-75P-XX-M-20D	200-480	20°	4000K or 5000K	High	749	153	114,228	749	161	120,240
				Middle	600	159	95,178	600	167	100,188
				Low	500	162	80,841	500	170	85,095
SP8-100P-XX-M-20D	200-480	20°	4000K or 5000K	High	1,012	154	155,850	1,012	162	164,053
				Middle	900	160	144,103	900	169	151,688
				Low	800	163	130,555	800	172	137,426
SP8-120P-XX-M-20D	200-480	20°	4000K or 5000K	High	1,212	154	187,200	1,212	163	197,053
				Middle	1,000	161	160,634	1,000	169	169,088
				Low	800	164	130,978	800	172	137,872

Model Number	Input (Vac)	Optics	CCT	Selection	4000K			5000K		
					Wattage (W)	Lumens (LM)	Efficacy (LM/W)	Wattage (W)	Lumens (LM)	Efficacy (LM/W)
SP8-40P-XX-M-30D	200-480	30°	4000K or 5000K	High	391	150	58,504	391	157	61,583
				Middle	300	155	46,647	300	164	49,102
				Low	200	158	31,696	200	167	33,365
SP8-50P-XX-M-30D	200-480	30°	4000K or 5000K	High	491	151	74,332	491	159	78,244
				Middle	400	157	62,971	400	166	66,285
				Low	300	160	48,137	300	169	50,670
SP8-60P-XX-M-30D	200-480	30°	4000K or 5000K	High	604	154	93,165	604	162	98,068
				Middle	500	160	80,231	500	169	84,454
				Low	400	164	65,419	400	172	68,862
SP8-75P-XX-M-30D	200-480	30°	4000K or 5000K	High	744	156	116,291	744	164	122,412
				Middle	600	163	97,509	600	171	102,641
				Low	500	166	82,821	500	174	87,179
SP8-100P-XX-M-30D	200-480	30°	4000K or 5000K	High	992	154	153,121	992	162	161,180
				Middle	900	160	144,438	900	169	152,040
				Low	800	164	130,858	800	172	137,745
SP8-120P-XX-M-30D	200-480	30°	4000K or 5000K	High	1,184	154	182,752	1,184	162	192,370
				Middle	1,000	160	160,469	1,000	169	168,915
				Low	800	164	130,844	800	172	137,731

\*Data for 5000K, high wattage selection are based on in-house IES. Other data are extrapolated.

\*4000K factor: 0.95/middle wattage selection: 1.04/low wattage selection 1.06

**ULTRA**  
Power Selectable Sports Light

**PRODUCT SPECIFICATIONS**

Model Number	Input (Vac)	Optics	CCT	Selection	4000K			5000K		
					Wattage (W)	Lumens (LM)	Efficacy (LM/W)	Wattage (W)	Lumens (LM)	Efficacy (LM/W)
SP8-40P-XX-M-40D	200-480	40°	4000K or 5000K	High	391	152	59,377	391	160	62,502
				Middle	300	158	47,338	300	166	49,829
				Low	200	161	32,166	200	169	33,858
SP8-50P-XX-M-40D	200-480	40°	4000K or 5000K	High	491	152	74,691	491	160	78,622
				Middle	400	158	63,327	400	167	66,660
				Low	300	161	48,409	300	170	50,956
SP8-60P-XX-M-40D	200-480	40°	4000K or 5000K	High	596	161	95,941	596	170	100,990
				Middle	500	168	83,764	500	176	88,173
				Low	400	171	68,300	400	180	71,895
SP8-75P-XX-M-40D	200-480	40°	4000K or 5000K	High	743	157	116,634	743	165	122,773
				Middle	600	163	97,990	600	172	103,147
				Low	500	166	83,228	500	175	87,609
SP8-100P-XX-M-40D	200-480	40°	4000K or 5000K	High	997	154	153,954	997	163	162,057
				Middle	900	161	144,549	900	169	152,157
				Low	800	164	130,959	800	172	137,852
SP8-120P-XX-M-40D	200-480	40°	4000K or 5000K	High	1,216	155	188,011	1,216	163	197,907
				Middle	1,000	161	160,799	1,000	169	169,262
				Low	800	164	131,113	800	173	138,014

Model Number	Input (Vac)	Optics	CCT	Selection	4000K			5000K		
					Wattage (W)	Lumens (LM)	Efficacy (LM/W)	Wattage (W)	Lumens (LM)	Efficacy (LM/W)
SP8-40P-XX-M-60D	200-480	60°	4000K or 5000K	High	397	151	59,875	397	159	63,026
				Middle	300	157	47,063	300	165	49,540
				Low	200	160	31,979	200	168	33,662
SP8-50P-XX-M-60D	200-480	60°	4000K or 5000K	High	495	149	74,064	495	157	77,962
				Middle	400	155	62,192	400	164	65,465
				Low	300	158	47,541	300	167	50,043
SP8-60P-XX-M-60D	200-480	60°	4000K or 5000K	High	593	154	91,215	593	162	96,016
				Middle	500	160	79,950	500	168	84,158
				Low	400	163	65,190	400	172	68,621
SP8-75P-XX-M-60D	200-480	60°	4000K or 5000K	High	749	151	112,822	749	158	118,760
				Middle	600	157	93,934	600	165	98,878
				Low	500	160	79,784	500	168	83,983
SP8-100P-XX-M-60D	200-480	60°	4000K or 5000K	High	1,066	150	159,496	1,066	158	167,890
				Middle	900	156	140,093	900	164	147,467
				Low	800	159	126,922	800	167	133,602

\*Data for 5000K, high wattage selection are based on in-house IES. Other data are extrapolated.  
 \*4000K factor: 0.95/middle wattage selection: 1.04/low wattage selection 1.06

**ULTRA**  
Power Selectable Sports Light

**PRODUCT SPECIFICATIONS**

Model Number	Input (Vac)	Optics	CCT	Selection	4000K			5000K		
					Wattage (W)	Lumens (LM)	Efficacy (LM/W)	Wattage (W)	Lumens (LM)	Efficacy (LM/W)
SP8-40P-XX-M-80D	200-480	80°	4000K or 5000K	High	397	150	59,753	397	158	62,898
				Middle	300	156	46,942	300	165	49,412
				Low	200	159	31,896	200	168	33,575
SP8-50P-XX-M-80D	200-480	80°	4000K or 5000K	High	494	148	73,362	494	156	77,223
				Middle	400	154	61,758	400	163	65,009
				Low	300	157	47,209	300	166	49,694
SP8-60P-XX-M-80D	200-480	80°	4000K or 5000K	High	601	156	93,787	601	164	98,723
				Middle	500	162	81,097	500	171	85,366
				Low	400	165	66,126	400	174	69,606
SP8-75P-XX-M-80D	200-480	80°	4000K or 5000K	High	745	151	112,794	745	159	118,730
				Middle	600	158	94,508	600	166	99,483
				Low	500	161	80,272	500	169	84,496

Model Number	Input (Vac)	Optics	CCT	Selection	4000K			5000K		
					Wattage (W)	Lumens (LM)	Efficacy (LM/W)	Wattage (W)	Lumens (LM)	Efficacy (LM/W)
SP8-40P-XX-M-120D	200-480	120°	4000K or 5000K	High	407	156	63,250	407	164	66,579
				Middle	300	162	48,522	300	170	51,076
				Low	200	165	32,970	200	174	34,706
SP8-50P-XX-M-120D	200-480	120°	4000K or 5000K	High	501	153	76,550	501	161	80,579
				Middle	400	159	63,563	400	167	66,908
				Low	300	162	48,589	300	170	51,146
SP8-60P-XX-M-120D	200-480	120°	4000K or 5000K	High	610	132	80,706	610	139	84,954
				Middle	500	138	68,837	500	145	72,460
				Low	400	140	56,129	400	148	59,083

\*Data for 5000K, high wattage selection are based on in-house IES. Other data are extrapolated.

\*4000K factor: 0.95/middle wattage selection: 1.04/low wattage selection 1.06

**ULTRA**  
Power Selectable Sports Light

**ELECTRICAL DATA**

Model Number	277 V	347 V	480 V
SP8-40P-XX-M	1.44 A	1.15 A	0.83 A
SP8-50P-XX-M	1.79 A	1.43 A	1.03 A
SP8-60P-XX-M	2.15 A	1.72 A	1.24 A
SP8-75P-XX-M	2.68 A	2.14 A	1.55 A
SP8-100P-XX-M	3.77 A	3.01 A	2.17 A
SP8-120P-XX-M	4.33 A	3.46 A	2.50 A

**BUG INFO**

Model Number	BUG
SP8-40P-XX-M	B5-U0-G1
SP8-50P-XX-M	B5-U0-G2
SP8-60P-XX-M	B5-U0-G2
SP8-75P-XX-M	B5-U0-G2
SP8-100P-XX-M	B5-U0-G5
SP8-120P-XX-M	B5-U0-G5

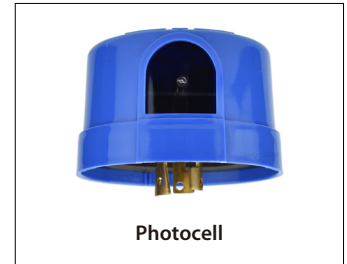
**EPA**

Model Number	Yoke	Slipfitter
SP8-40P-XX-M	1.4 ft <sup>2</sup>	1.6 ft <sup>2</sup>
SP8-50P-XX-M	1.4 ft <sup>2</sup>	1.6 ft <sup>2</sup>
SP8-60P-XX-M	1.4 ft <sup>2</sup>	1.6 ft <sup>2</sup>
SP8-75P-XX-M	2.2 ft <sup>2</sup>	2.4 ft <sup>2</sup>
SP8-100P-XX-M	2.6 ft <sup>2</sup>	2.9 ft <sup>2</sup>
SP8-120P-XX-M	2.6 ft <sup>2</sup>	2.9 ft <sup>2</sup>

**PACKING**

Model Number	Mounting	Carton Size (inch)	Net Weight (lbs)	Gross Weight (lbs)
SP8-40P-XX-M	Yoke	18.5*18.1*18.1	31.9	36.3
	Slipfitter	18.5*18.1*18.1	33.0	37.4
SP8-50P-XX-M	Yoke	18.5*18.1*18.1	31.9	36.3
	Slipfitter	18.5*18.1*18.1	33.0	37.4
SP8-60P-XX-M	Yoke	18.5*18.1*18.1	32.3	36.7
	Slipfitter	18.5*18.1*18.1	33.4	37.8
SP8-75P-XX-M	Yoke	23.2*22.0*19.9	44.3	50.3
	Slipfitter	23.2*22.0*19.9	49.6	55.6
SP8-100P-XX-M	Yoke	25.9*25.4*22.8	40.0	45.9
	Slipfitter	25.9*25.4*22.8	45.2	51.1
SP8-120P-XX-M	Yoke	25.9*25.4*22.8	61.5	66.4
	Slipfitter	25.9*25.4*22.8	65.3	74.1

**ADDITIONAL ACCESSORIES**



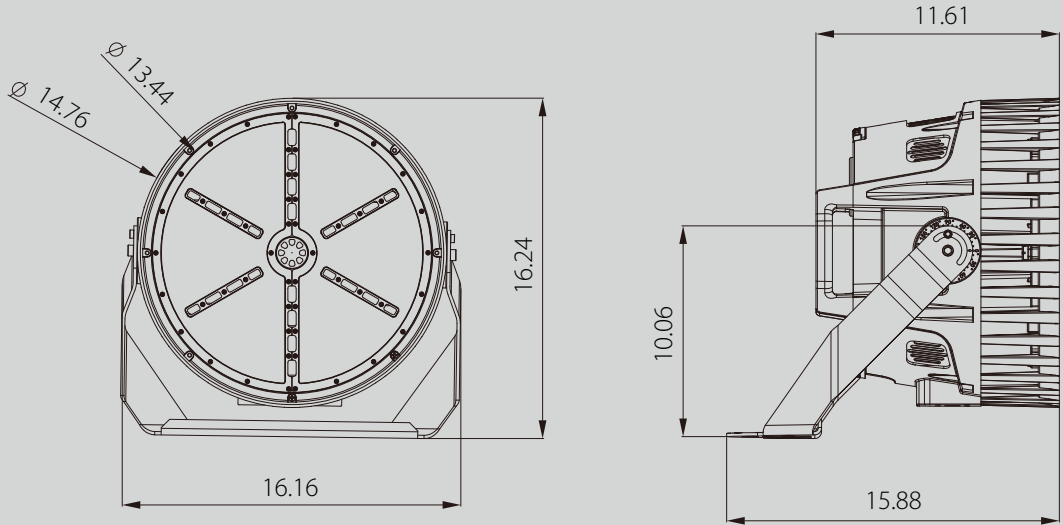
ATG Code	Model Number	Description
VS1	VS-SP8-01	Visor for 400W&500W&600W SP8 Ultra LED Sports Light
VS2	VS-SP8-02	Visor for 750W SP8 Ultra LED Sports Light
VS3	VS-SP8-03	Visor for 1000W&1200W SP8 Ultra LED Sports Light
LS	LS-SP2-00	Laser for SP8 Ultra LED Sports Light
SF	MSF-SP8-00	Slip Fitter for 400W-1200W SP8 Ultra LED Sports Light
P1	JL-207C	3-pin Photocell, 120-277Vac, including base
P2	JL-207F	3-pin Photocell, 480Vac, including base
P4	JL-243C	7-pin Photocell, 120-277Vac, including base
R3	---	Shorting Cap for 3-pin receptacle
R7	---	Shorting Cap for 7-pin receptacle

**ULTRA**  
Power Selectable Sports Light

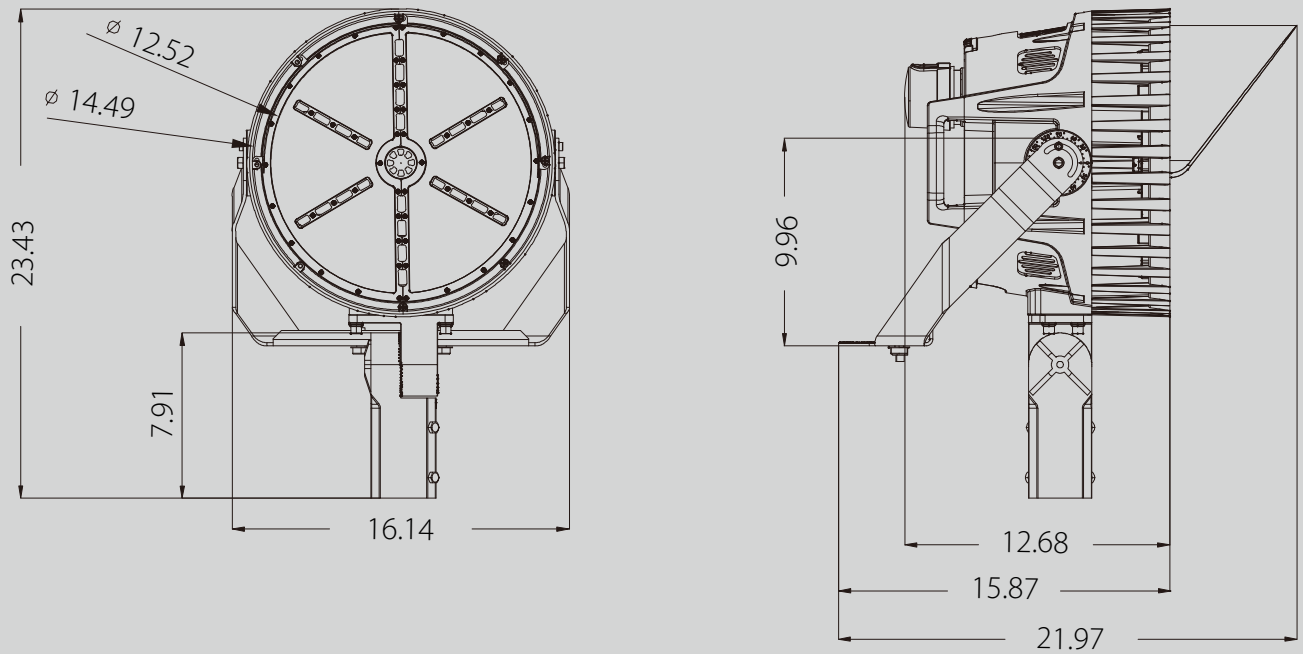
**DIMENSIONS**

**Ultra SP8 400W/500W/600W**

**Yoke Mount**



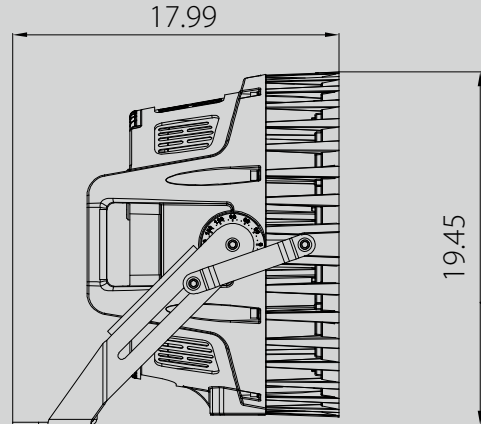
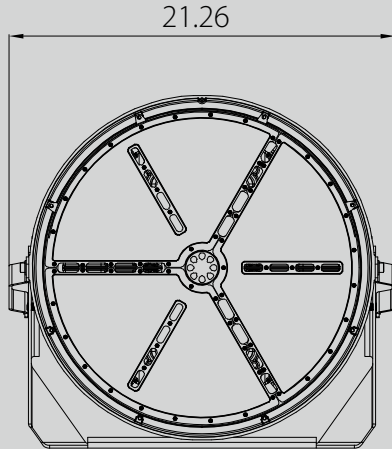
**Slipfitter**



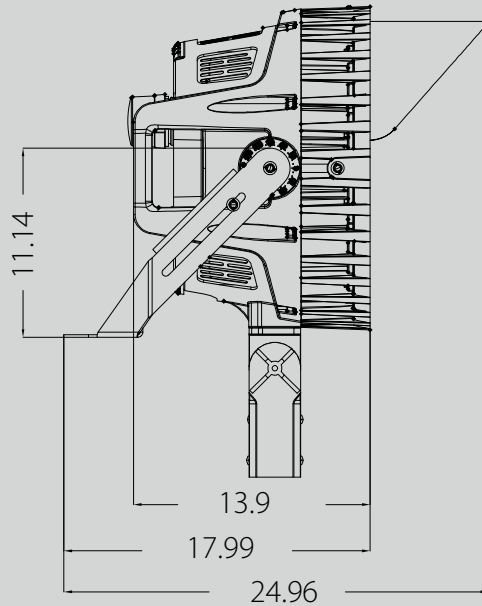
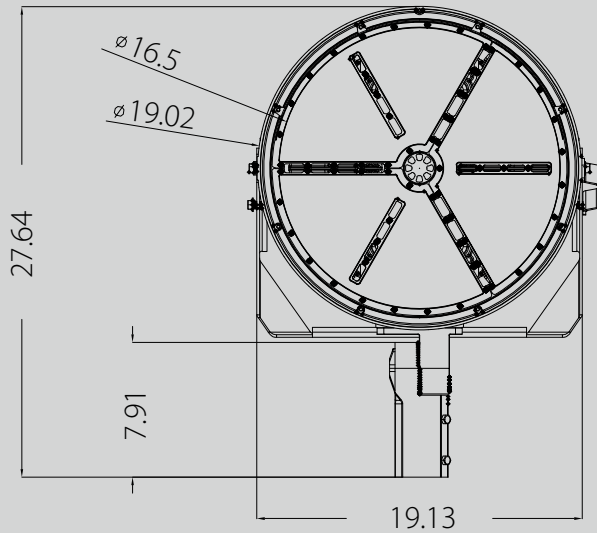
**ULTRA**  
Power Selectable Sports Light

**DIMENSIONS**

**Ultra SP8 750W**  
**Yoke Mount**



**Slipfitter**

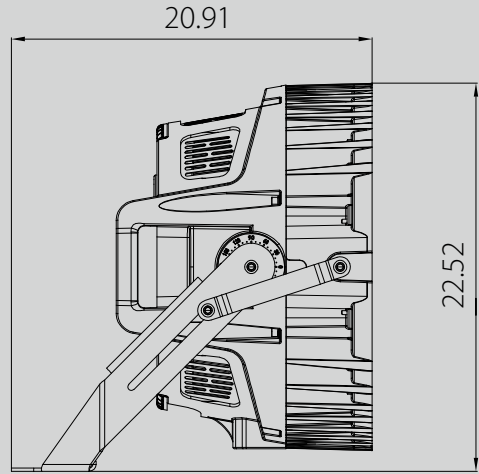
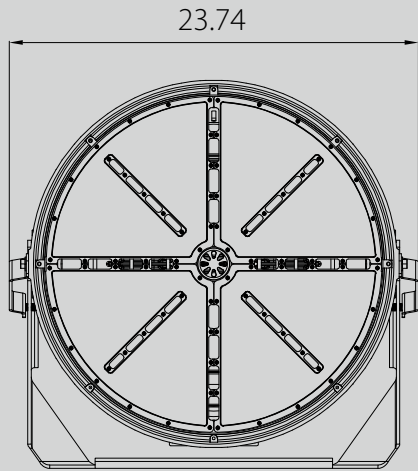


**ULTRA**  
Power Selectable Sports Light

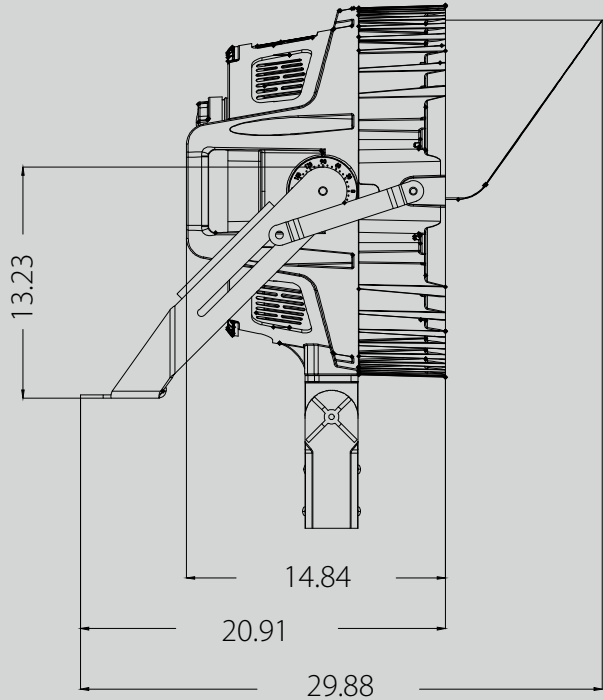
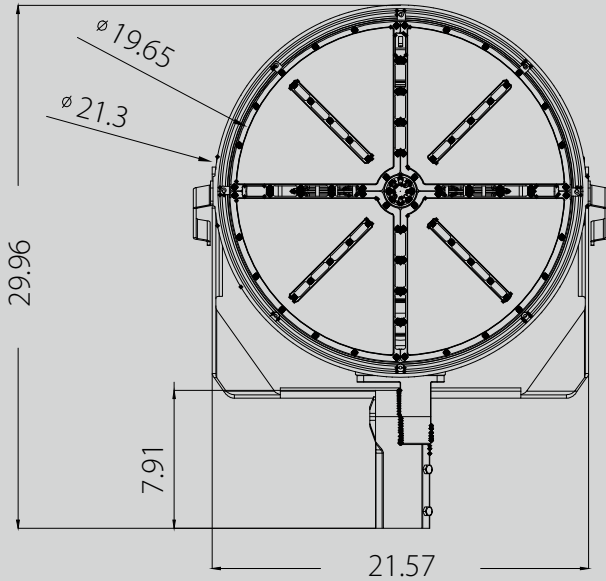
**DIMENSIONS**

**Ultra SP8 1000W/1200W**

**Yoke Mount**



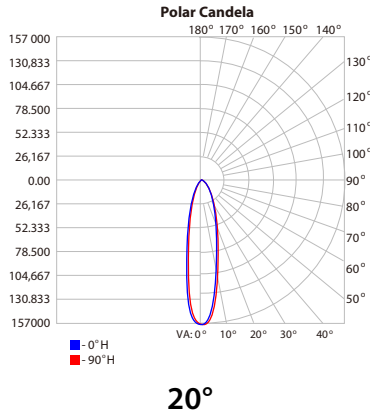
**Slipfitter**



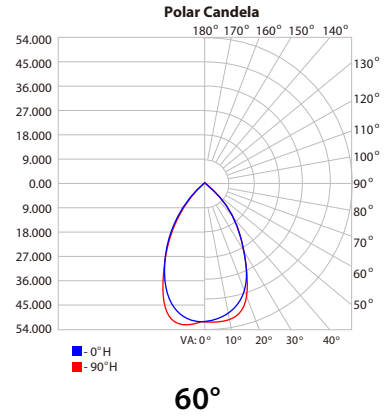
**ULTRA**  
Power Selectable Sports Light

**PHOTOMETRIC SPECIFICATIONS**

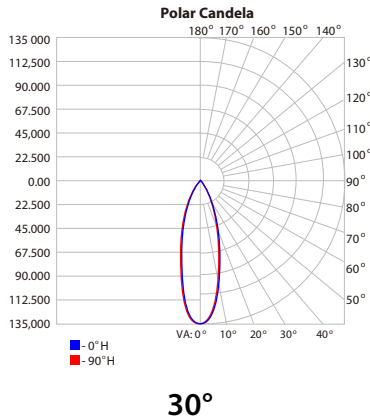
**SP8-40P-50-M-20D**



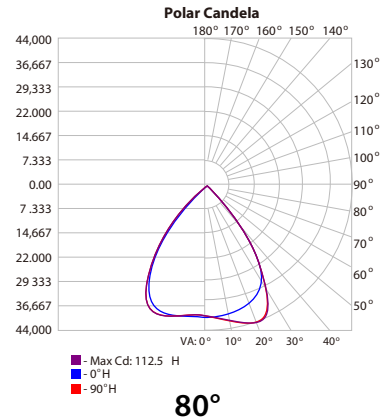
**SP8-40P-50-M-60D**



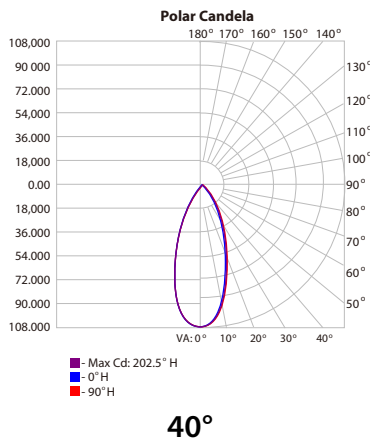
**SP8-40P-50-M-30D**



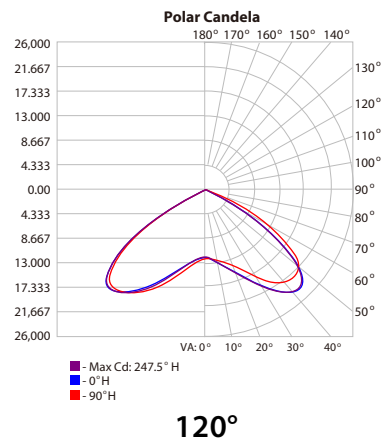
**SP8-40P-50-M-80D**



**SP8-40P-50-M-40D**



**SP8-40P-50-M-120D**



**ULTRA**  
Power Selectable Sports Light

**ORDER FORMAT**

Series	Wattage	CCT	Voltage	Beam Angle	Photocell	Options
SP8						
SP8	40=400W	30=3000K	Blank=120-277VAC	20D=20°	R3	VS1
	50=500W	40=4000K	M=200-480VAC	30D=30°	R7	VS2
	60=600W	50=5000K		40D=40°	P1	VS3
	75=750W	00=RGB		60D=60°	P2	LS
	100=1000W			80D=80°	P4	SF
	120=1200W			120D=120°		