

ECDK



DUO DIRECT KIT GEN 2

POWER AND CCT SELECTABLE DOORFRAME RETROFIT KIT

ECDK

Power and CCT Selectable Doorframe Retrofit Kit



DESCRIPTION

LED Retrofit Kit | 2X2 & 2X4 | DUO Selecta
| 120-277V | 0-10V Dimming



PRODUCT FEATURES

- Low profile, low glare, low flicker, classic design
- Ambient operating temperature: -20°C(-4°F) to 50°C(122°F)
- THD<20%, Power Factor>0.97
- Emergency backup options available
- UL 1598 suitable for damp locations, Type IC
- Stand Alone Fixture Control(SAFC) options available
- BLE Mesh Control (LLLC) and Circuit Level control (LALC) options available
- Surface mount kit available
- Calculated L70>186,000 hours

* Control and EM options are sold separately, lead time and extra cost may apply
* Surface mount kit are sold separately

POWER SELECTABILITY

- Feature Power Selectable Techology: Adjust wattage between 20W/25W/30W(2X2), 25W/30W/35W(2X4)
- Feature CCT Selectable Technology: Adjust CCT Between 3500K/4000K/5000K

PRODUCT SPECIFICATIONS

Part Number	Nominal Wattage(W)	3500K			4000K			5000K		
		Wattage (W)	Efficacy (LM/W)	Lumens (LM)	Wattage (W)	Efficacy (LM/W)	Lumens (LM)	Wattage (W)	Efficacy (LM/W)	Lumens (LM)
ECDK22-20W-T1-R0-R1	30	29.3	125.1	3,669	28.2	139.3	3,925	29.2	127.2	3,709
	25	24.0	130.0	3,116	23.2	143.1	3,320	23.9	132.3	3,166
	20	19.6	134.3	2,627	19.0	146.1	2,779	19.6	137.0	2,682
ECDK24-25W-T1-R0-R1	35	33.7	124.1	4,178	32.5	139.0	4,519	33.6	125.5	4,220
	30	28.5	128.5	3,666	27.6	142.0	3,917	28.6	129.8	3,710
	25	23.5	132.9	3,122	22.8	145.1	3,308	23.5	134.2	3,155

* All data is based on in-house IES files
* DLC reported data is based on worst case(lowest CCT, highest wattage)

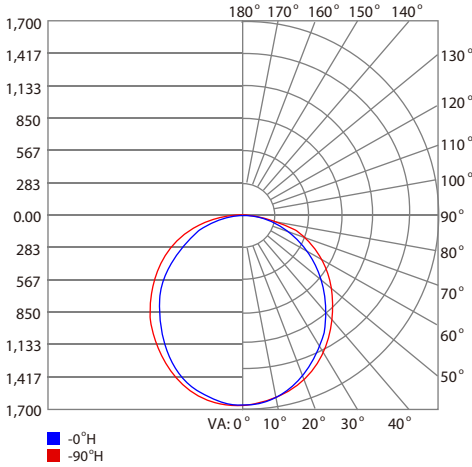
ECDK

Power and CCT Selectable Doorframe Retrofit Kit

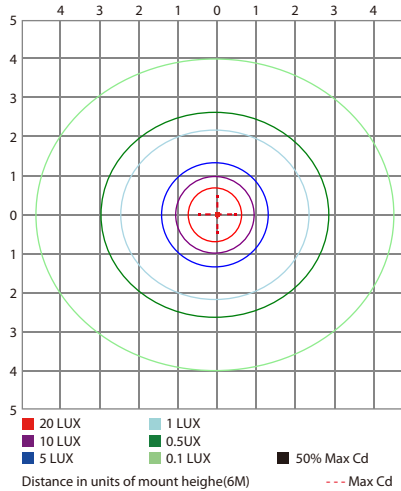
PHOTOMETRIC SPECIFICATIONS

ECDK24-25W-T1-R0-R1

POLA CANDELA DISTRIBUTION



ISO ILLUMINANCE



ZONAL LUMEN SUMMARY

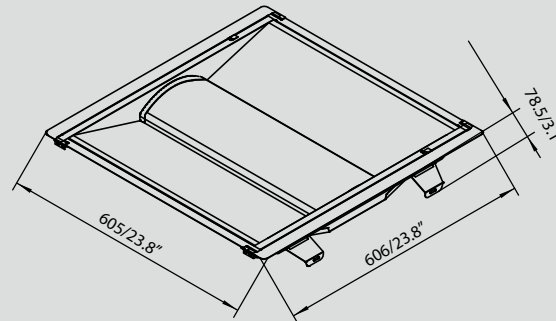
Zone	Lumens	% Lamp	% Luminaire
0-30	1,195.9	26.5%	26.5%
0-40	1,949.6	43.1%	43.1%
0-60	3,441.5	76.2%	76.2%
60-90	1075.4	23.8%	23.8%
70-100	502.0	11.1%	11.1%
90-120	1.1	0%	0%
0-90	4,516.9	100%	100%
90-180	2.1	0%	0%
0-180	4,519.0	100%	100%

PHYSICAL SPECIFICATIONS

PACKAGING

Dimensions				
PART NO.	SCALE	LENGTH	WIDTH	DEPTH
ECDK22	inch	23.7	23.7	3.1
	mm	603	603	54

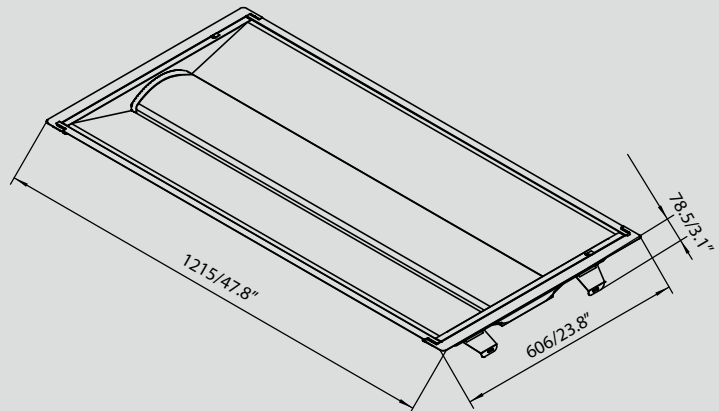
Recorded in inches



PACKAGING

Dimensions				
PART NO.	SCALE	LENGTH	WIDTH	DEPTH
ECDK24	inch	47.8	23.7	3.1
	mm	1213	603	54

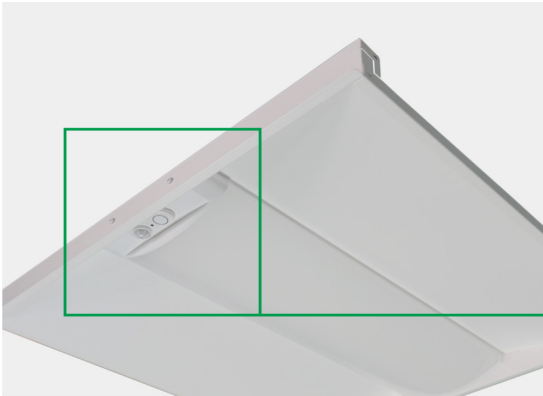
Recorded in inches



ECDK
Power and CCT Selectable Doorframe Retrofit Kit

DUO SELECTABLE TECHNOLOGY AND PLUG-AND-PLAY SENSOR

- This fixture is equipped with field-adjustable Power Select technology.
1. Ensure power is off to the fixture.
 2. Open the driver compartment located on the underside of the fixture.
 3. Adjust switches to desired settings.



PLUG AND PLAY MICROWAVE SENSOR

With pre-installed receptacle, microwave sensor can be added on site to save labor cost.

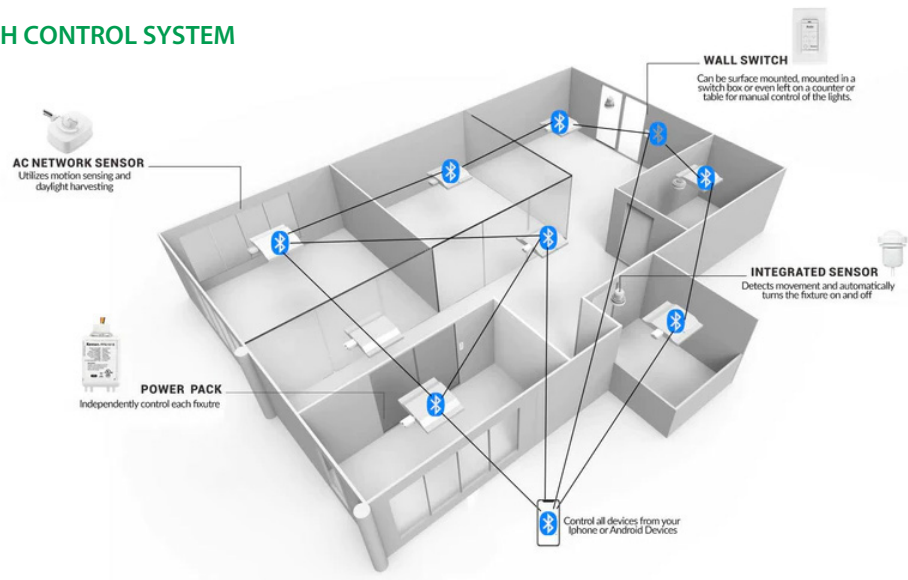


POWER & CCT SELECTABLE

Wattage and CCT can be easily adjusted via the DIP switch on the driver box.



COMPATIBLE WITH BLE MESH CONTROL SYSTEM



ECDK

Power and CCT Selectable Doorframe Retrofit Kit

ADDITIONAL ACCESSORIES (SOLD SEPARATELY)

ATG CODE	MODEL NUMBER	DESCRIPTION
SI	IFS06R	PIR Occupancy Sensor, 12VDC, with Daylight Harvesting Function
ST	ANT-15P	PIR Occupancy Sensor, 12VDC, with Daylight Harvesting Function *Recommended*
CJ	RM51	Remote for IFS06R & IFS108-BH4
R1	RC-100	Remote for ANT-15P
E7	EMH-08170-FY	Emergency Backup, 120-277VAC input, Emergency Output: 8W, with Li-ion Battery
EK	STB45FA-08WLi-170	Emergency Backup, 120-277VAC input, Emergency Output: 8W, with Li-ion Battery
SMK22	HAC-CLMB0-0600A0-RS	Surface Mount Kit for 2x2 Troffer
SMK24	HAC-CLMB0-0612A0-RS	Surface Mount Kit for 2x4 Troffer
B1	IFS108	Bluetooth & PIR Motion Sensor, Daylight Harvesting Enabled, 12VDC
WS1	WP1013	Bluetooth Wireless Wall Switch, 3-Key, Battery Powered
WS2	WP1013S	Bluetooth Line Voltage Wall Switch, 3-Key, 120-277VAC
WS3	WP1017S	Bluetooth Line Voltage Wall Switch, 7-Key, 120-277VAC
WS4	WP1025	Bluetooth Wireless Wall Switch, 5-Key, Battery Powered
P1	PPA102S	Line Voltage 6A Bluetooth Fixture Controller

SENSOR & EMERGENCY DRIVER



ANT-15P ***Recommended***



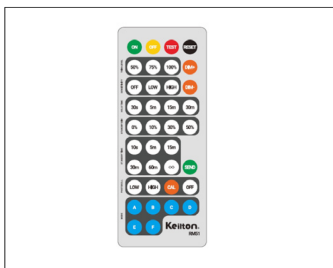
IFS06R



EMH-08170-FY



RC-100



RM51



IFS108



WP1013



WP1013S



WP1017S



WP1025



PPA102S.C2



STB45FA-08WLi-170

ECDK

Power and CCT Selectable Doorframe Retrofit Kit

ORDER FORMAT

EXAMPLE: ECDK22-20W-T1-R0-R1

Series	Size	Wattage	CCT	Driver	Option
ECDK					
ECDK	22=2'X2'	20W= 20W/25W/30W Selectable	T1=3500K/4000K/5000K Selectable	Blank=100-277VAC, without 12VDC AUX	Blank=without receptacle
	24=2'X4'	25W= 25W/30W/35W Selectable		R0=100-277VAC, with 12VDC AUX	R1=receptacle pre-installed

* PLS SEE BELOW PAGE FOR QUICK ORDERING GUIDE

QUICK ORDERING GUIDE

✓	Part Number	Description	QUICK SHIPPING*
	ECDK24-25W-T1-R0-R1	G2 DUO LED Direct Kit, CCT&Power Switchable, 2x4, 3500K/4000K/5000K, 25W/30W/35W, 100-277VAC, Slim Version, with 12VDC AUX & Receptacle	✓
	ECDK22-20W-T1-R0-R1	G2 DUO LED Direct Kit, CCT&Power Switchable, 2x2, 3500K/4000K/5000K, 20W/25W/30W, 100-277VAC, Slim Version, with 12VDC AUX & Receptacle	✓
	ECDK22T-30W-01	DUO LED Direct Kit, CCT&Power Switchable, 2x2, 3500K/4000K/5000K, 20W/25W/30W, 100-277VAC *CLEARANCE*	✓
	ANT-15P	Bi-Level PIR Sensor, 12~24VDC	✓
	RC-100	Remote for ANT-15P	✓
	STB45FA-08WLI-170	Emergency Backup	
	EMH-08170-FY	Emergency Backup	✓
	IFS108	Bluetooth & PIR Motion Sensor, Daylight Harvesting Enabled, 12VDC	✓
	WP1013	Bluetooth Wireless Wall Switch, 3-Key, Battery Powered	✓
	WP1013S	Bluetooth Line Voltage Wall Switch, 3-Key, 120-277VAC	✓
	WP1017S	Bluetooth Line Voltage Wall Switch, 7-Key, 120-277VAC	✓
	WP1025	Bluetooth Wireless Wall Switch, 5-Key, Battery Powered	✓
	PPA102S	Line Voltage 6A Bluetooth Fixture Controller	✓

* QUICK SHIPPING means this is a inventory product, please contact our sales for realtime stock information.